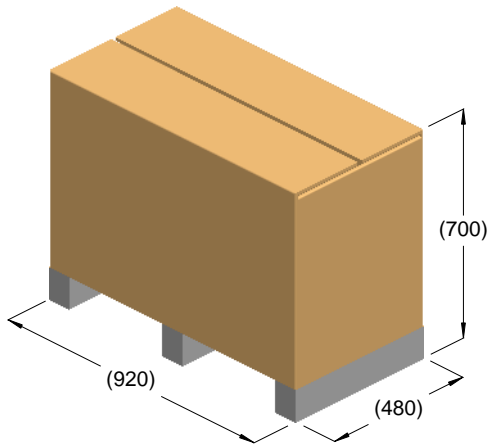
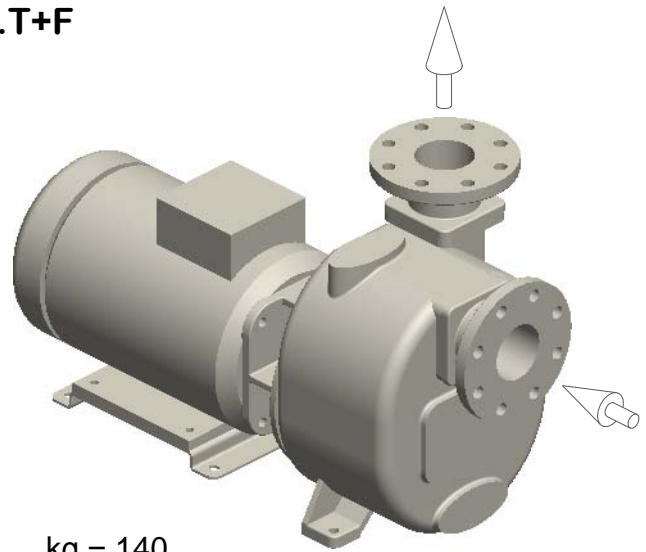


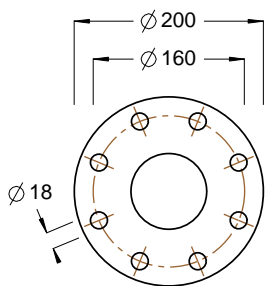
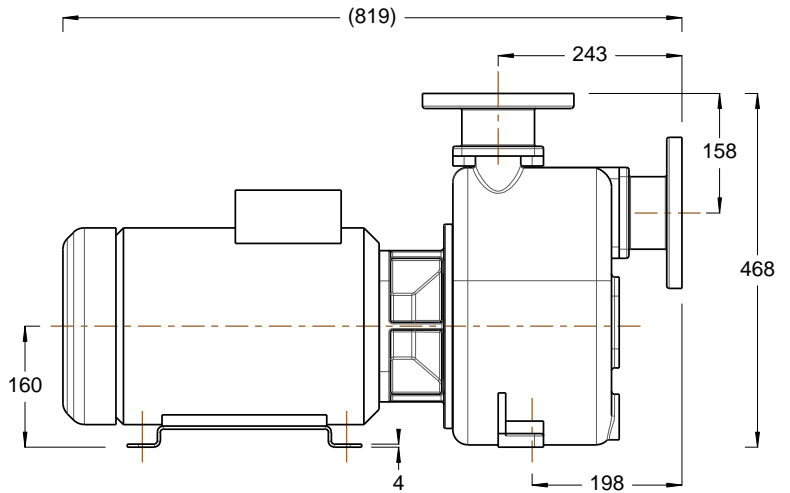
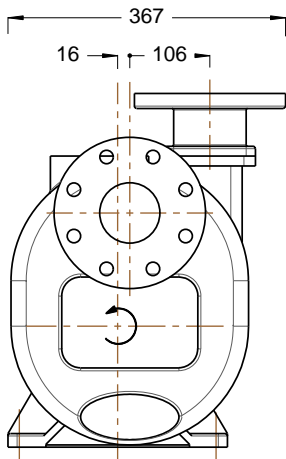
S 88 ...T+F



kg = 152
m³ = 0.31



kg = 140



DN80 PN16 / ASA125 3"

