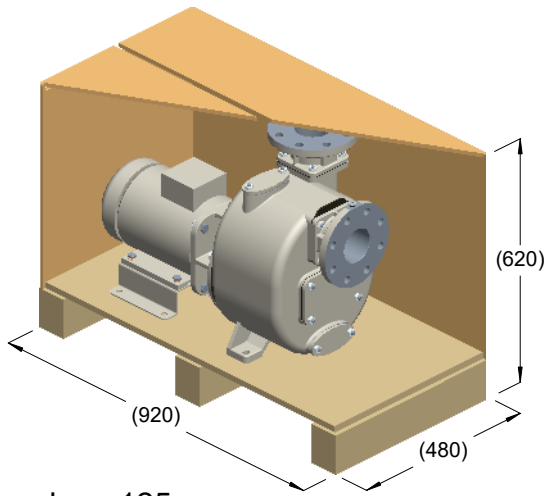
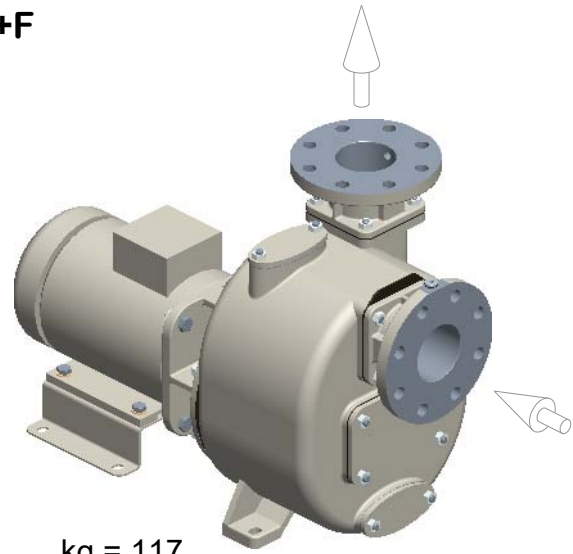


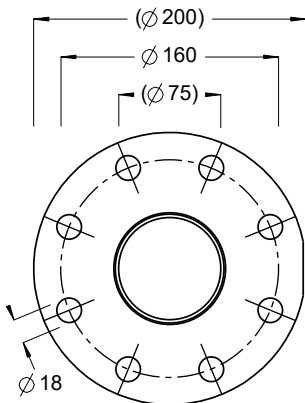
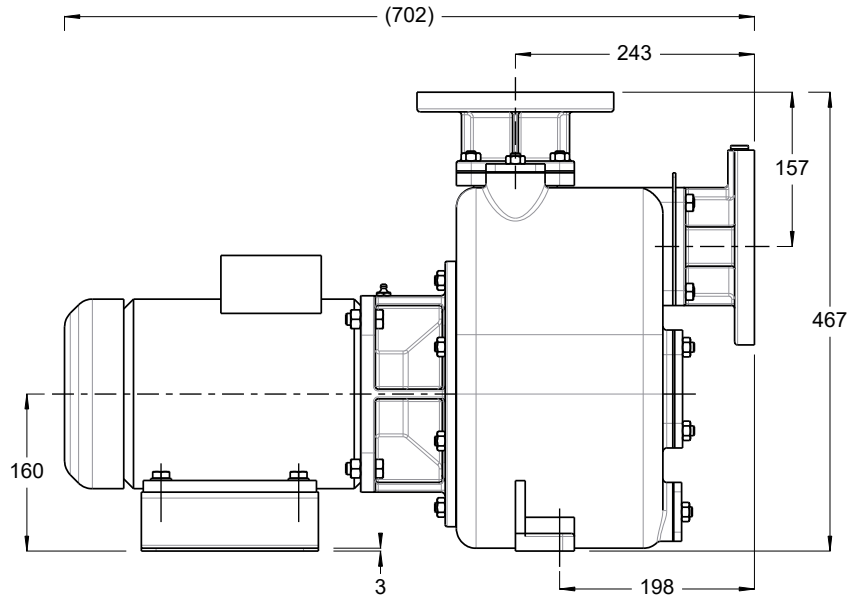
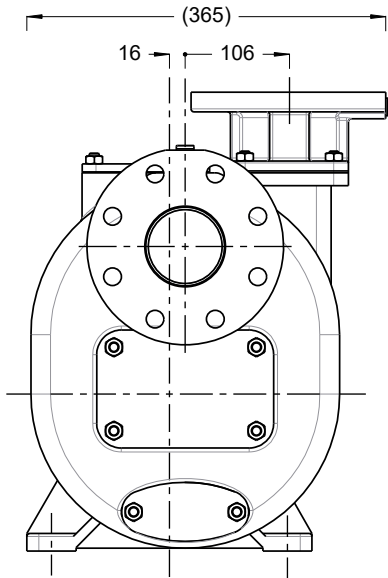
S 85 ...T+F



kg = 125
m³ = 0.27



kg = 117



ISO DN80 PN16

