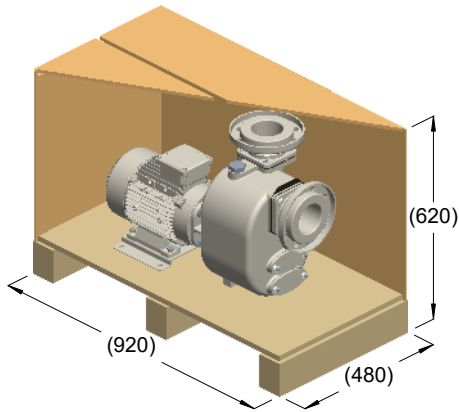
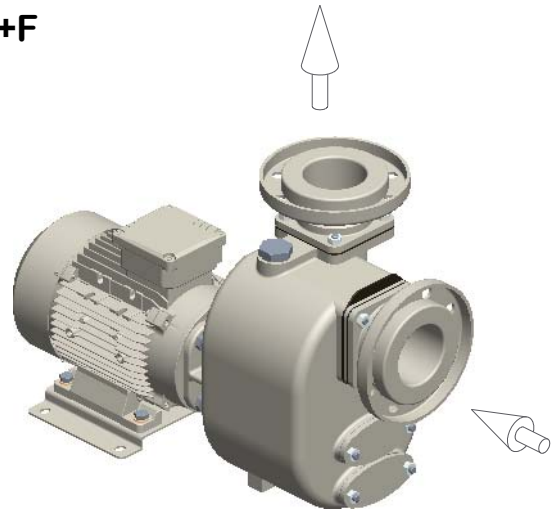


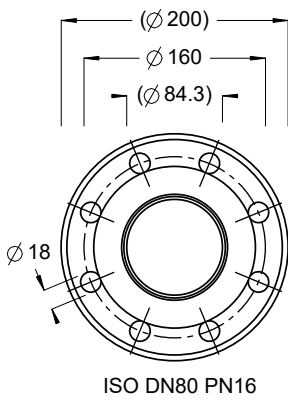
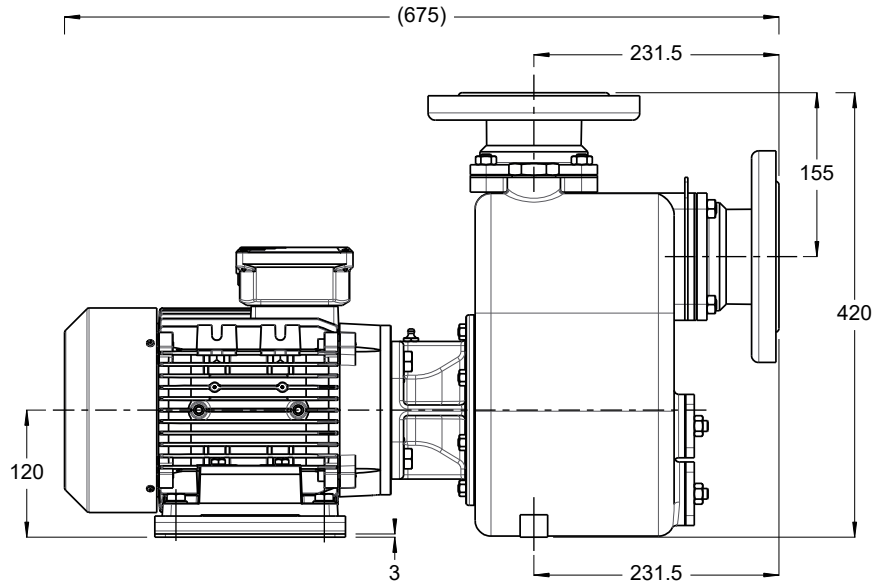
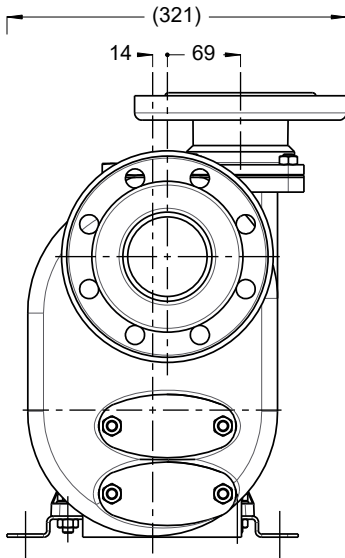
S 82 K..T+F



kg = 91
m³ = 0.27



kg = 83



ISO DN80 PN16

