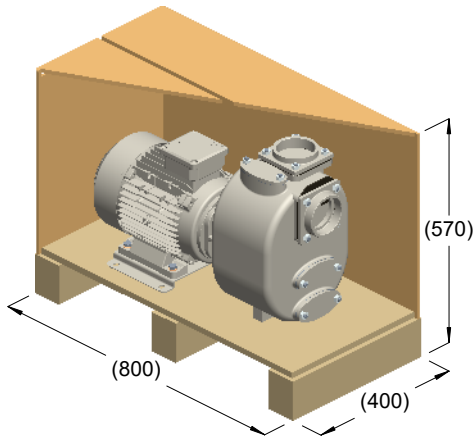
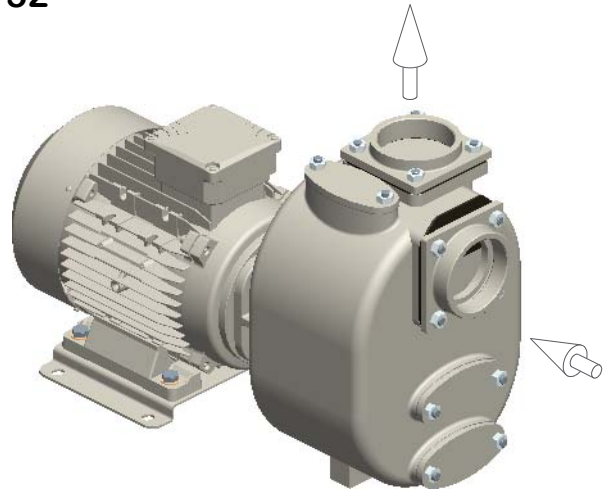


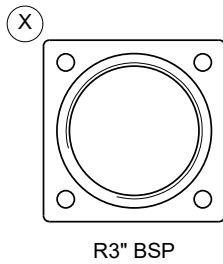
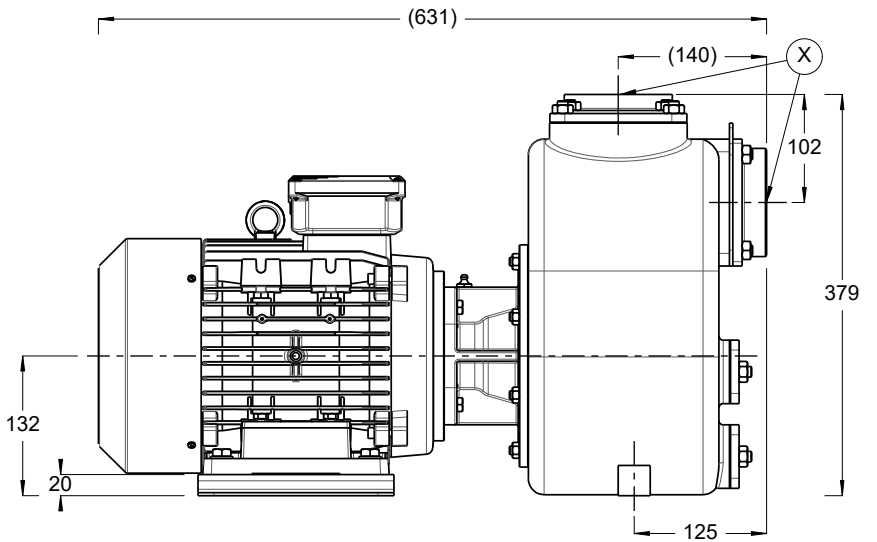
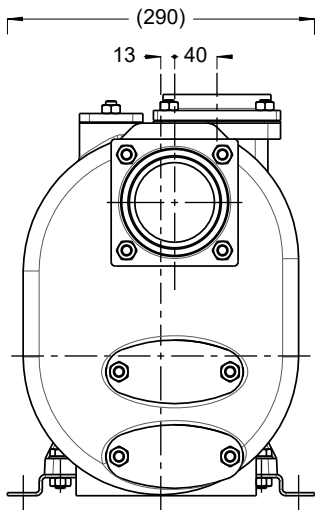
S 80 ...T52



kg = 91
m³ = 0.18



kg = 85



R3" BSP

