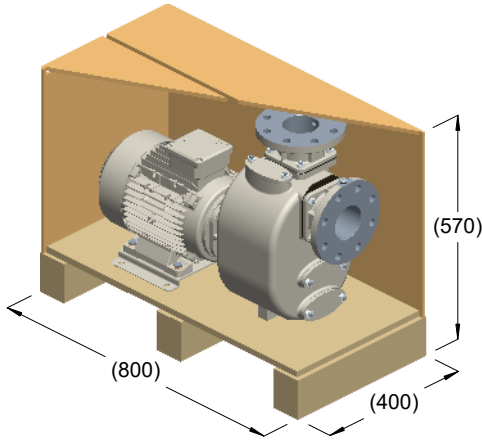
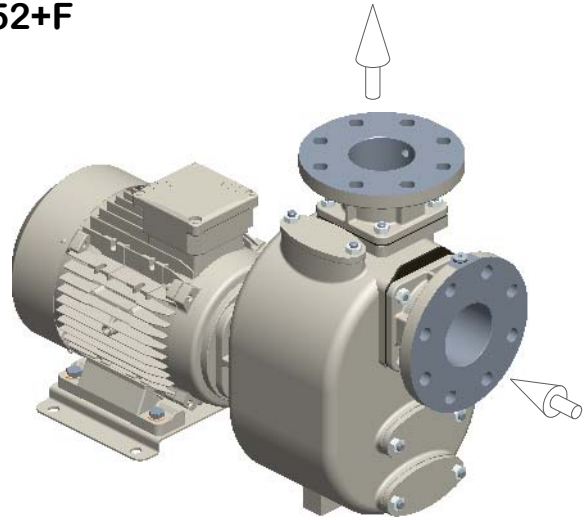


S 80 ...T52+F



kg = 100
m³ = 0.18



kg = 94

