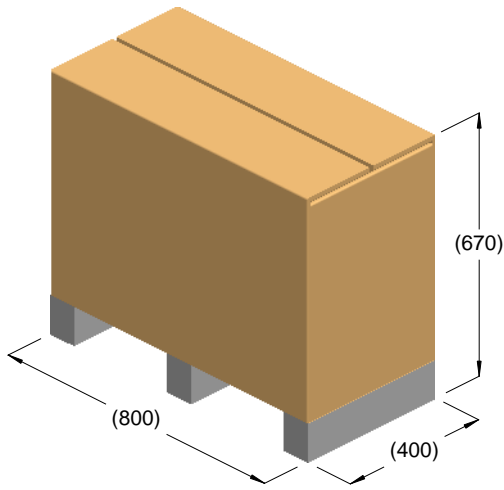
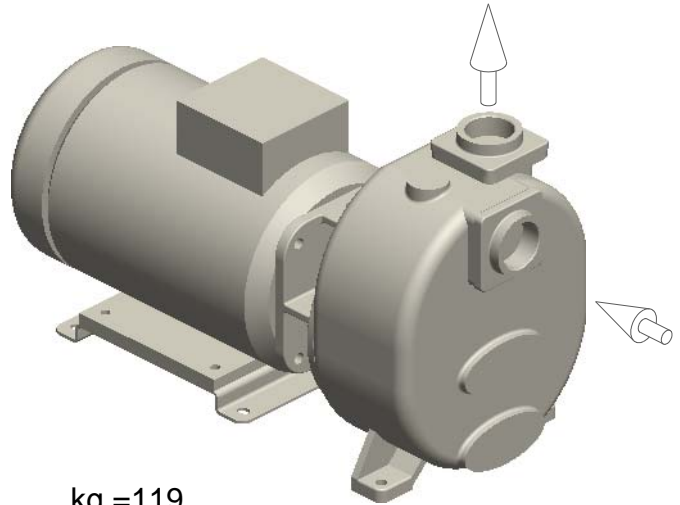


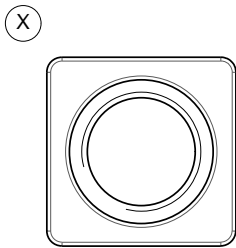
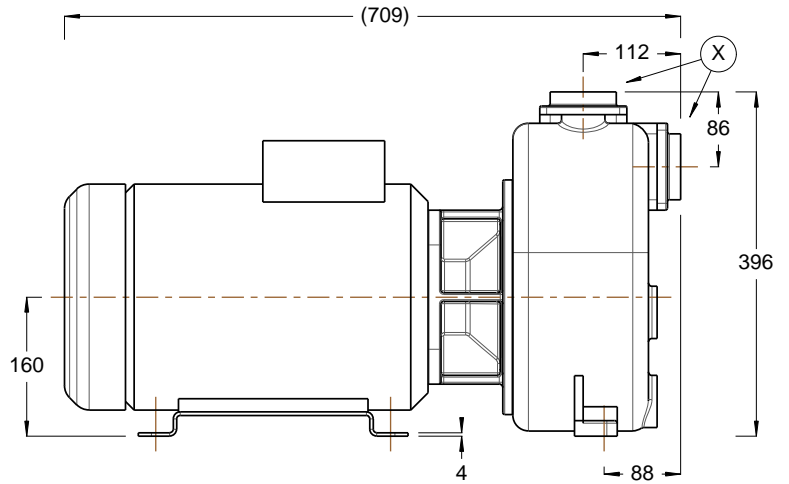
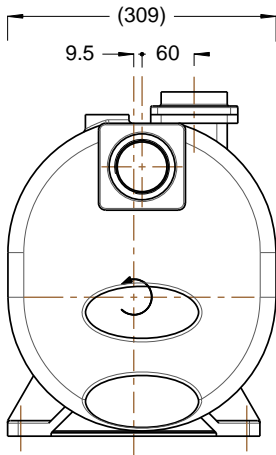
S 68 ...T



kg = 127
m³ = 0.21



kg = 119



R2" BSP

