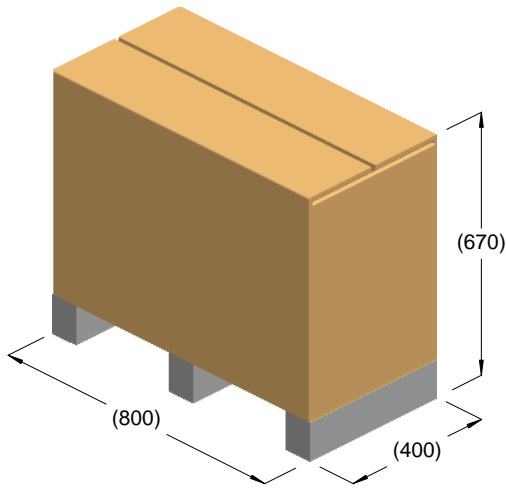
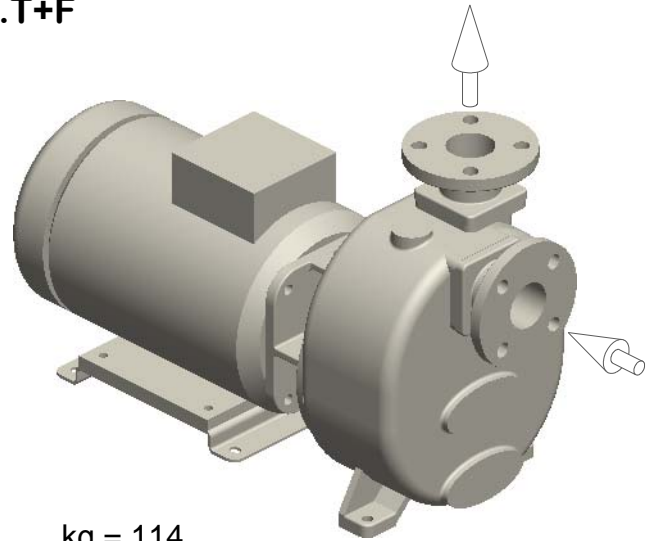


**S 68 ...T+F**



kg = 122  
m<sup>3</sup> = 0.21



kg = 114

