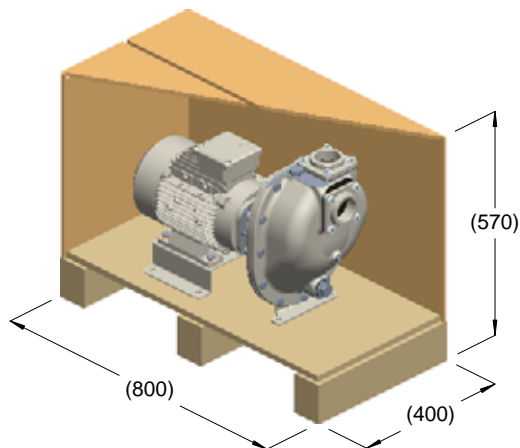
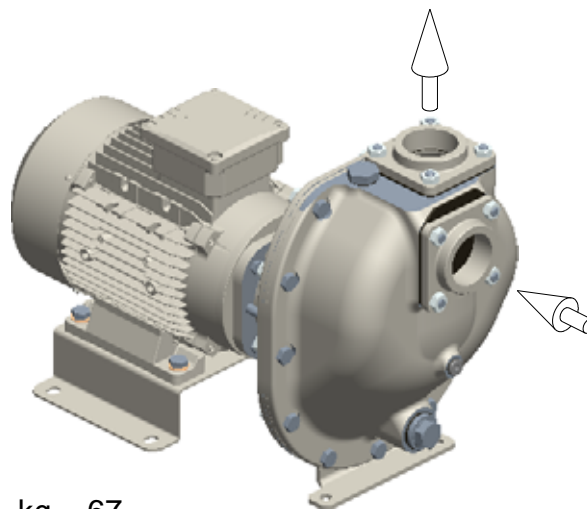




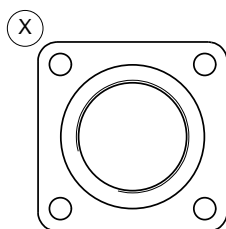
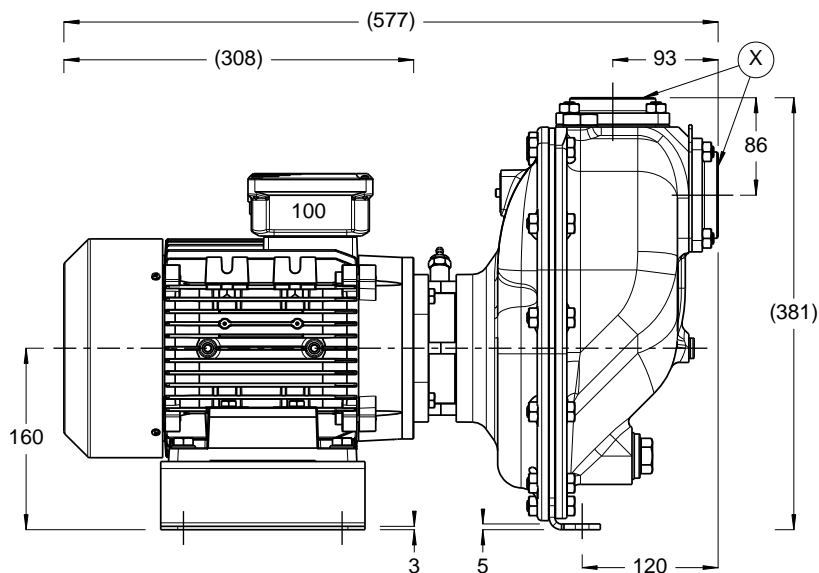
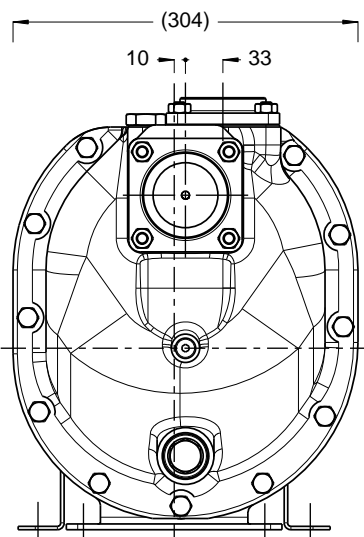
S 62 K..T



kg = 74
m³ = 0.18



kg = 67



R2" BSP

