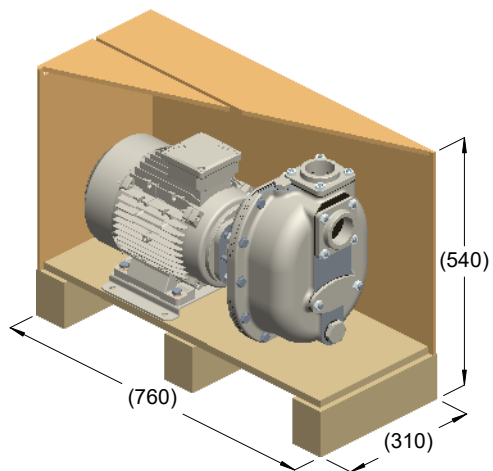
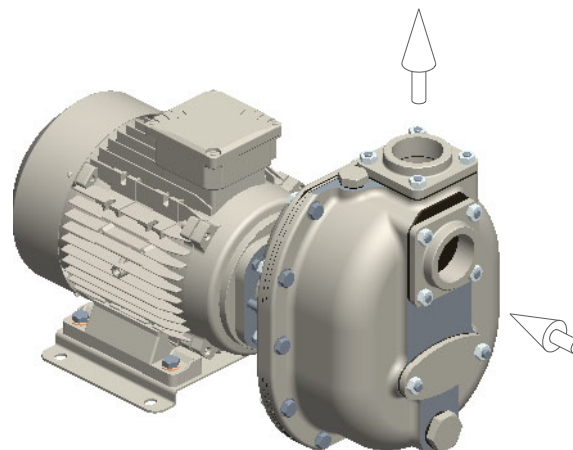




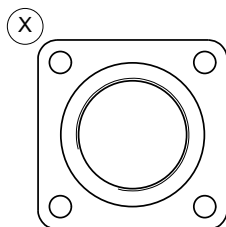
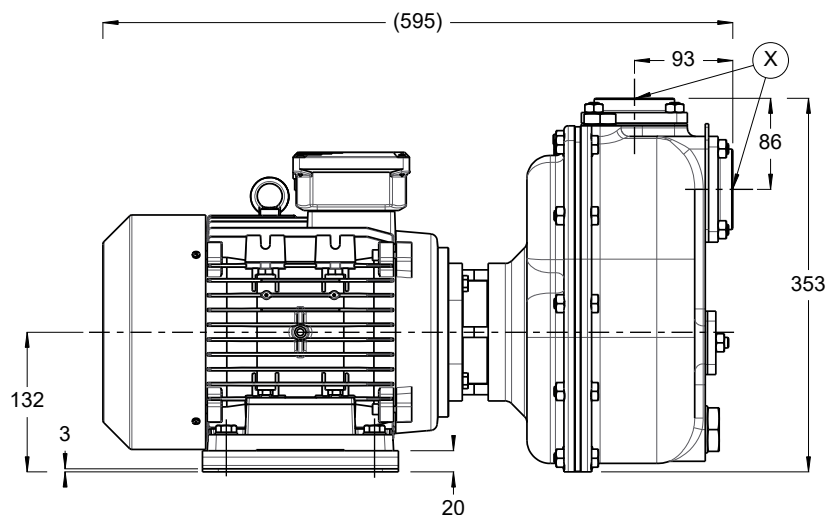
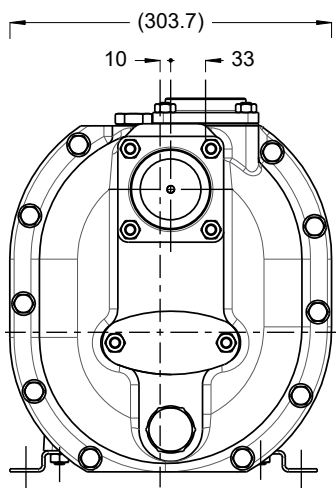
**S 61 K..T52**



kg = 81  
m<sup>3</sup> = 0.13



kg = 75



R2" BSP

