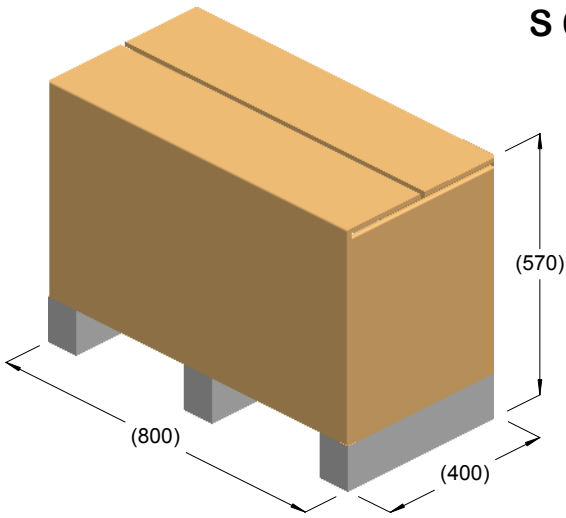
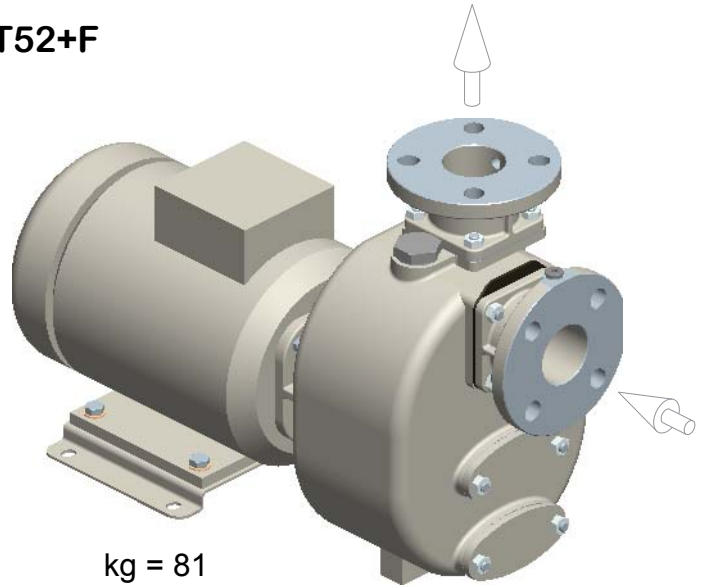


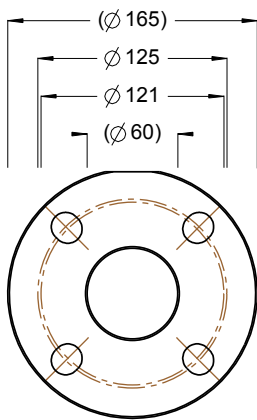
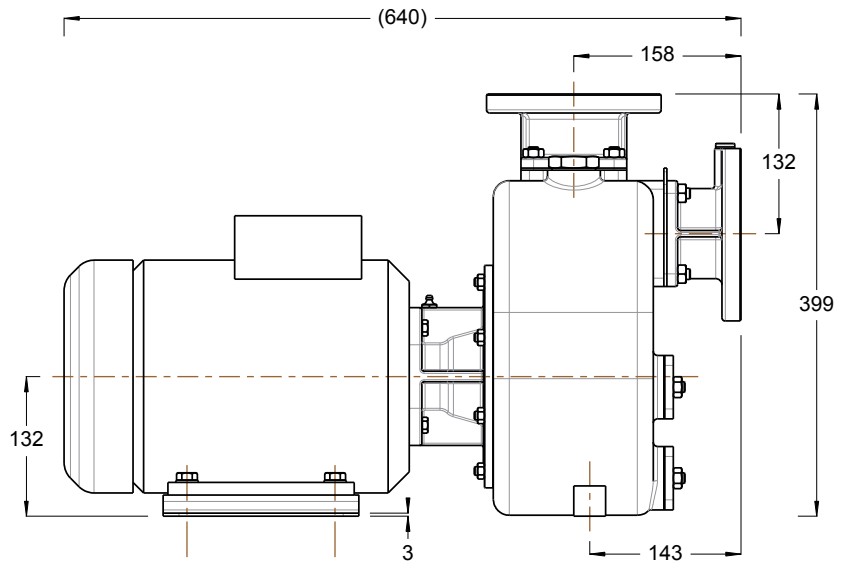
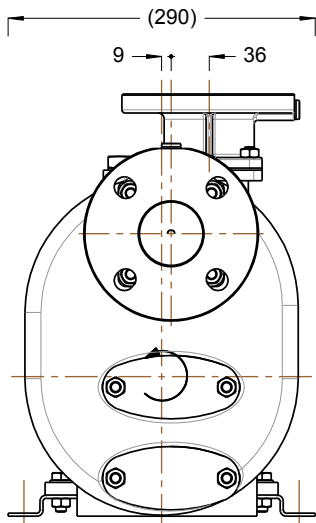
S 60 ...T52+F



kg = 87
m³ = 0.18



kg = 81



ISO DN50 PN16
ANSI 2" 125lb

