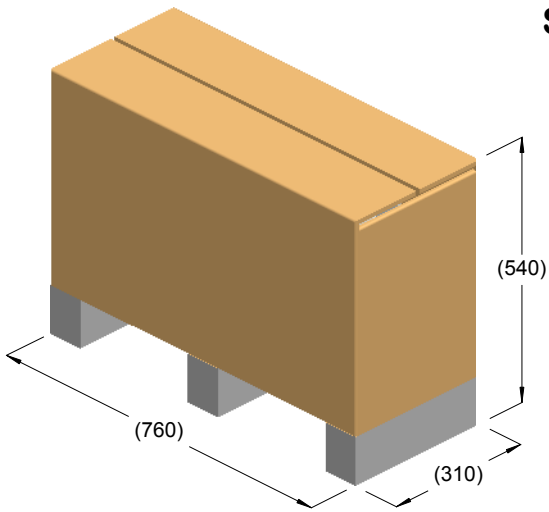
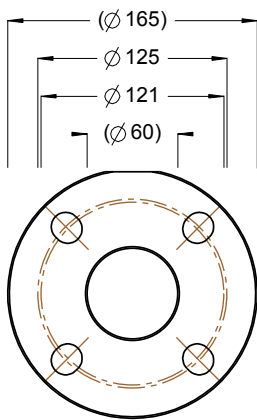
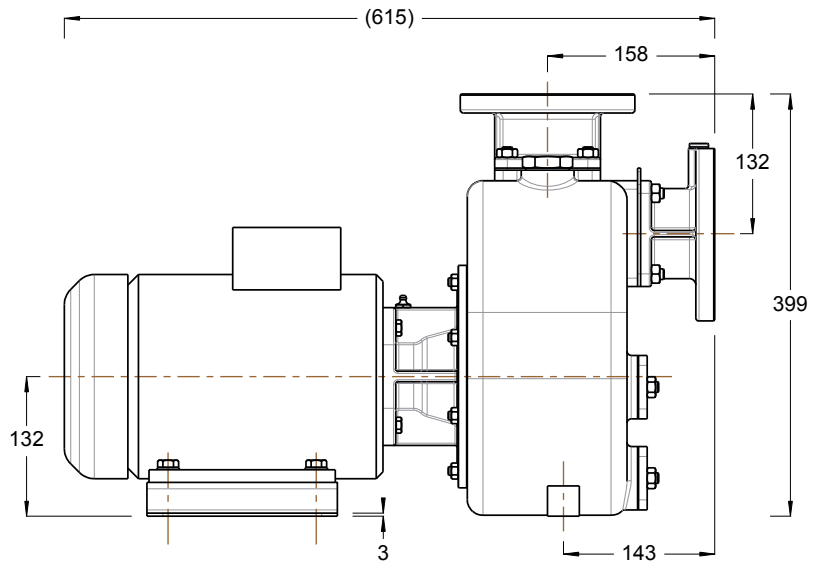
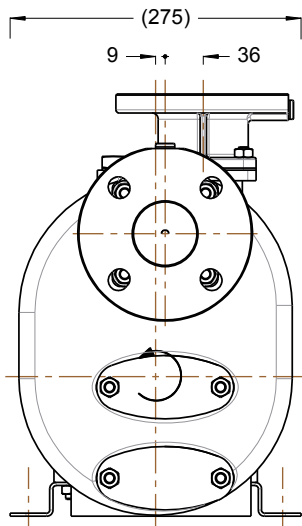
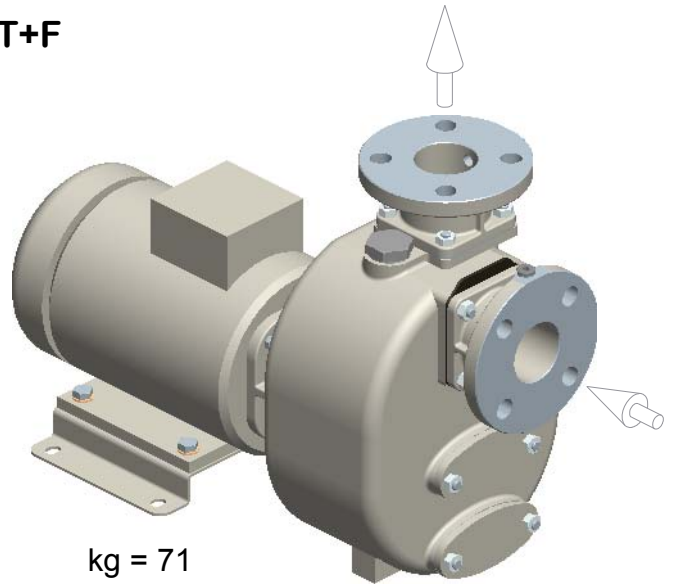


**S 60 ...T+F**



kg = 76  
m<sup>3</sup> = 0.13



ISO DN50 PN16  
ANSI 2" 125lb

