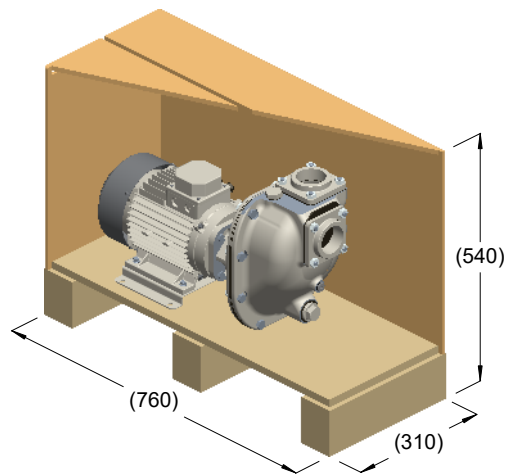
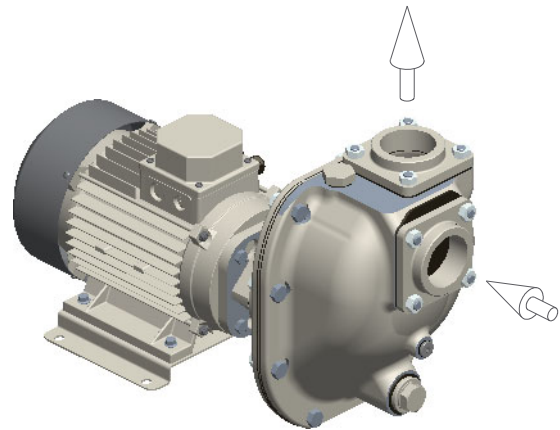




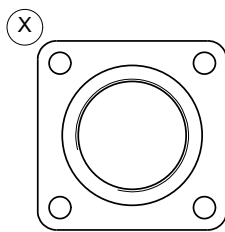
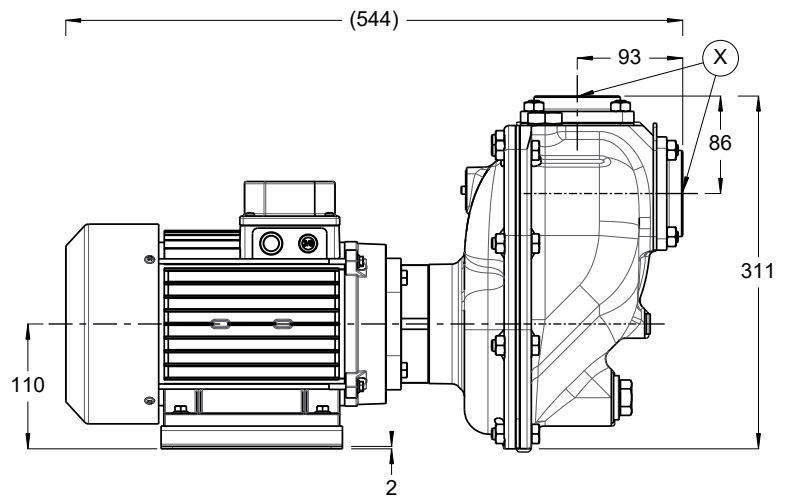
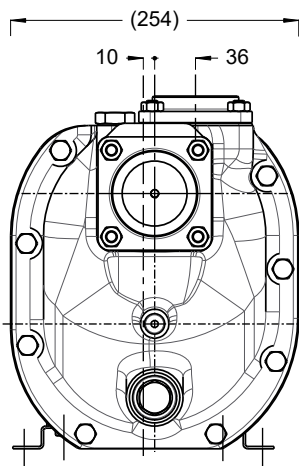
**S 51+50 K..T**



kg = 51  
m<sup>3</sup> = 0.13



kg = 45



R2" BSP

