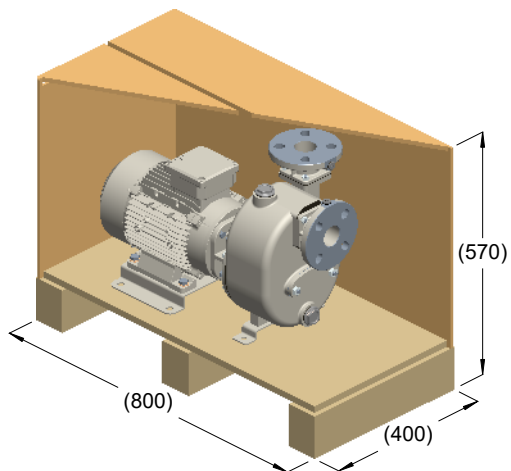
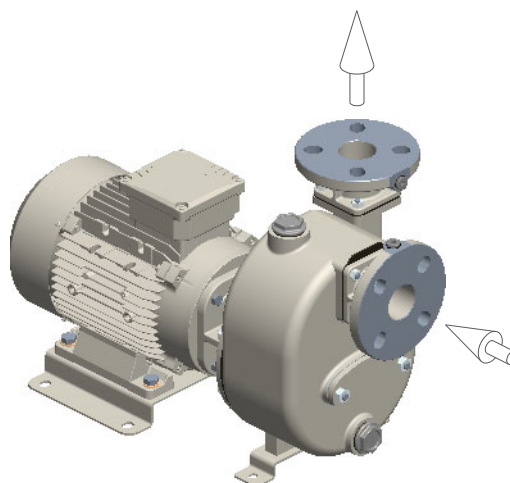




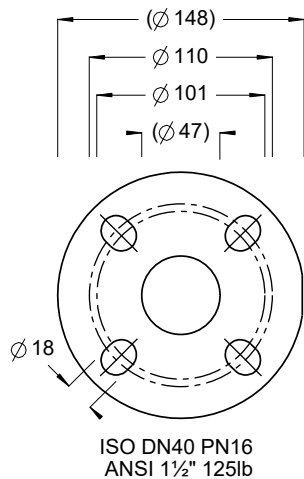
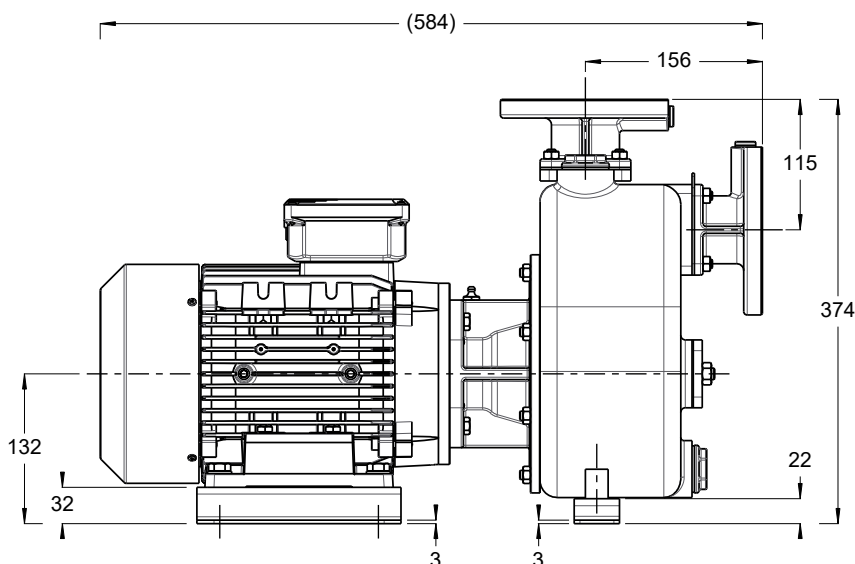
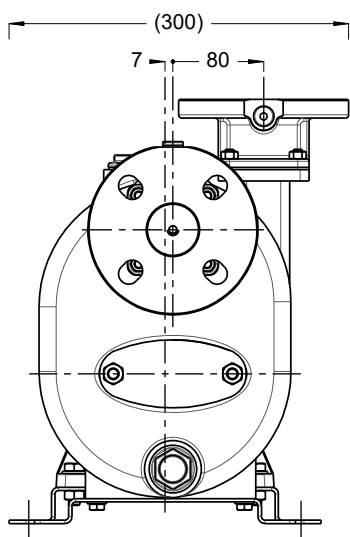
S 48 ...T+F



kg = 70
m³ = 0.18



kg = 63



ISO DN40 PN16
ANSI 1/2" 125lb

