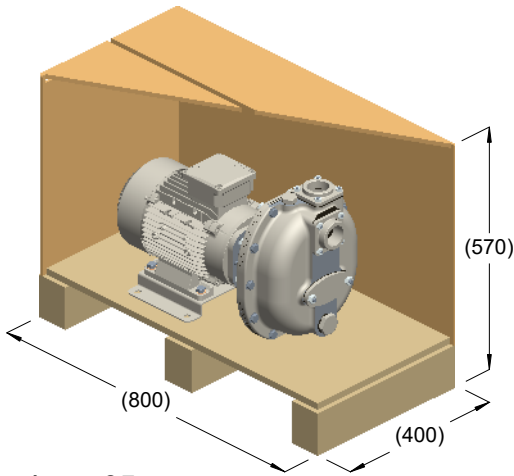
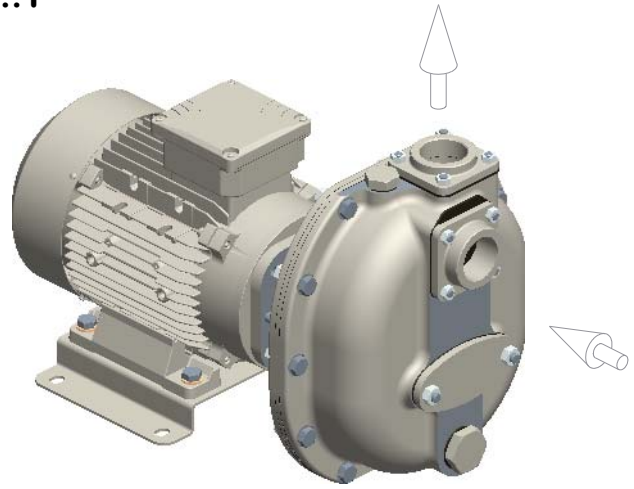


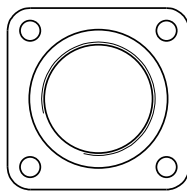
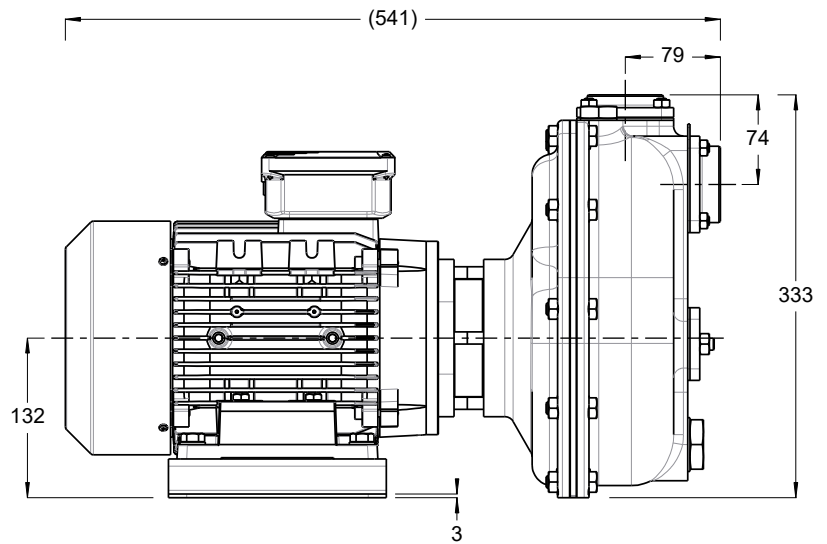
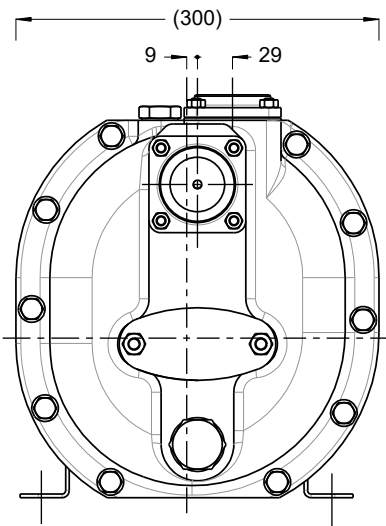
S 46 K..T



kg = 65
m³ = 0.18



kg = 58



R 1½" BSP

