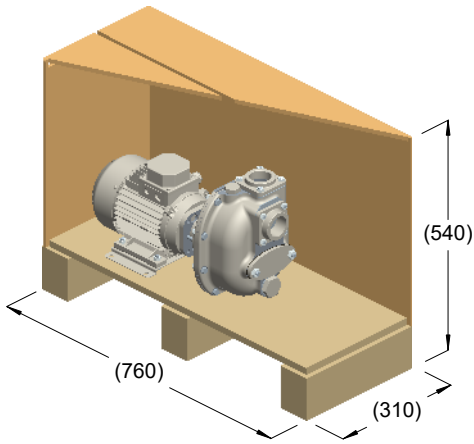
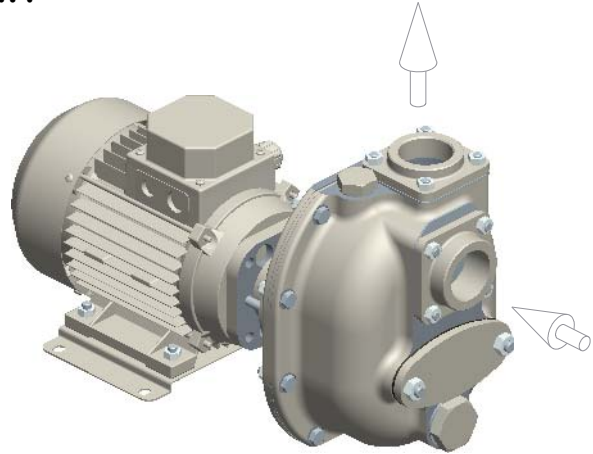


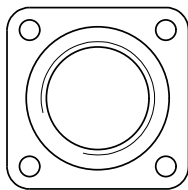
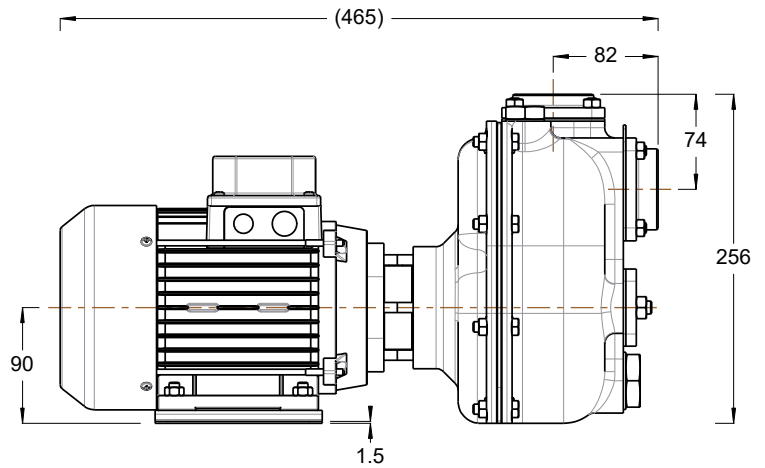
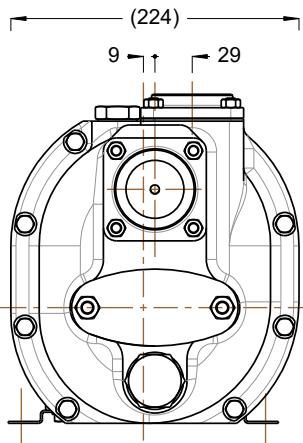
S 41 K..T



kg = 34
m³ = 0.13



kg = 28



R 1 1/2" BSP

