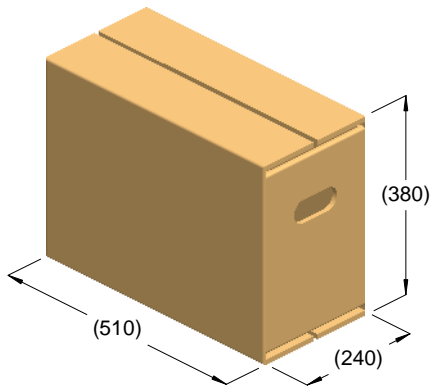
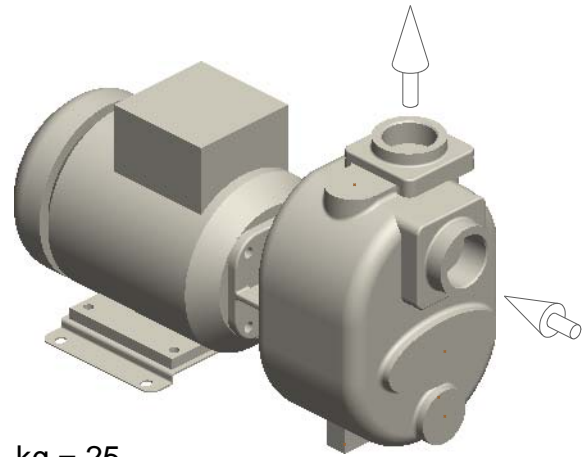


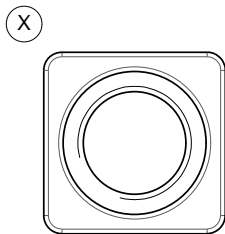
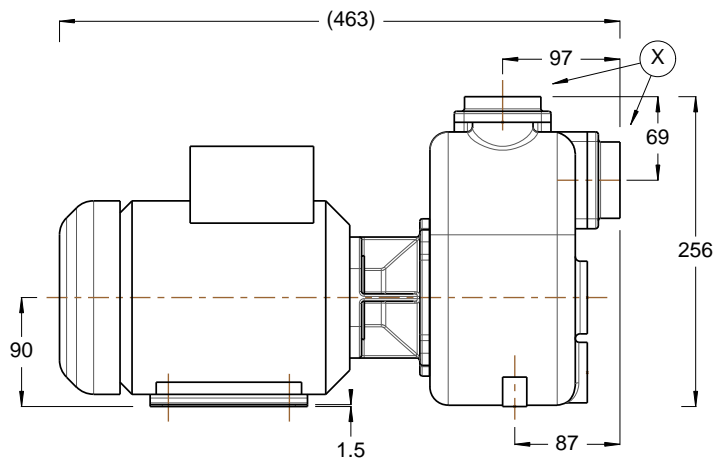
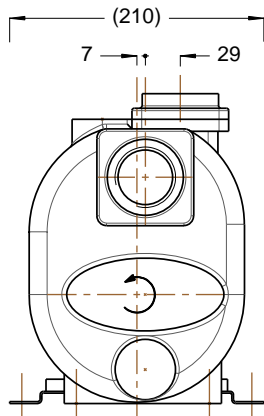
**S 40 ...T**



kg = 28  
m<sup>3</sup> = 0.05



kg = 25



R1½" BSP

