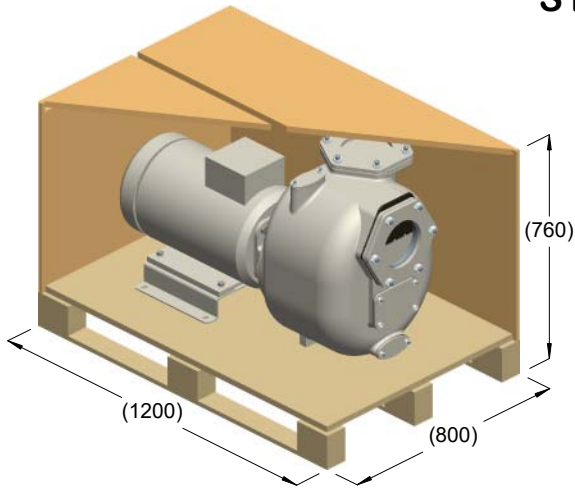
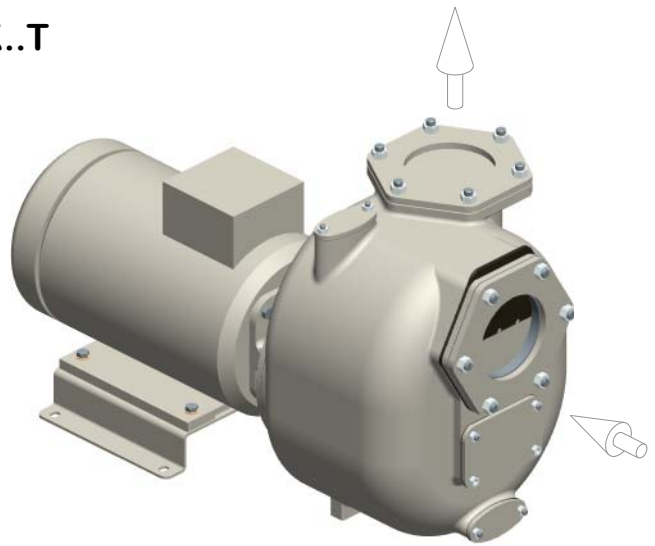


**S161 K..T**



kg = 252  
m<sup>3</sup> = 0.73



kg = 229

