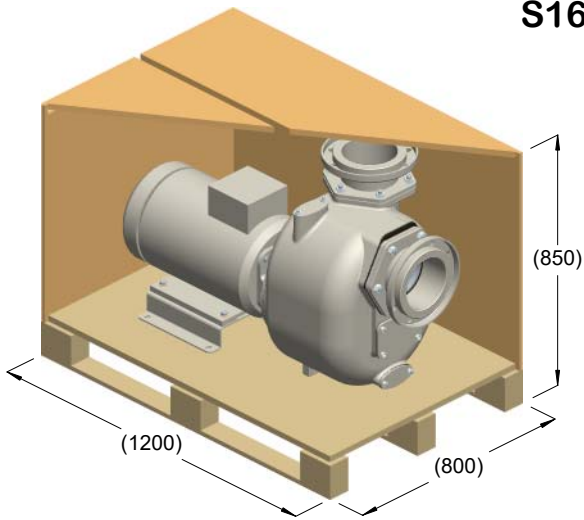
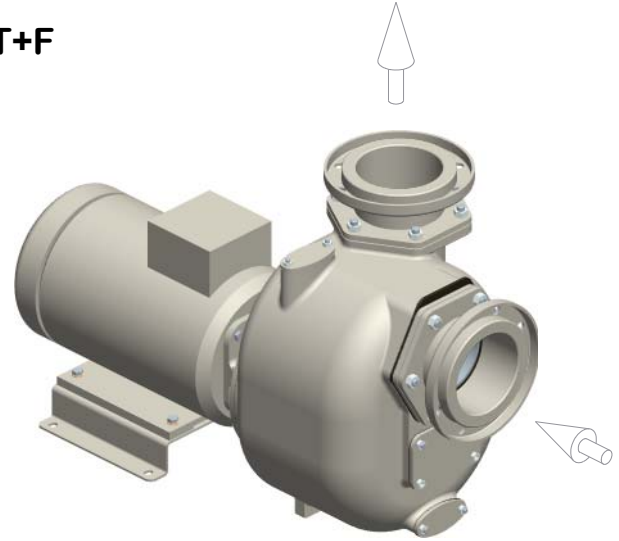


S161 K..T+F



kg = 340
m³ = 0.82



kg = 315

