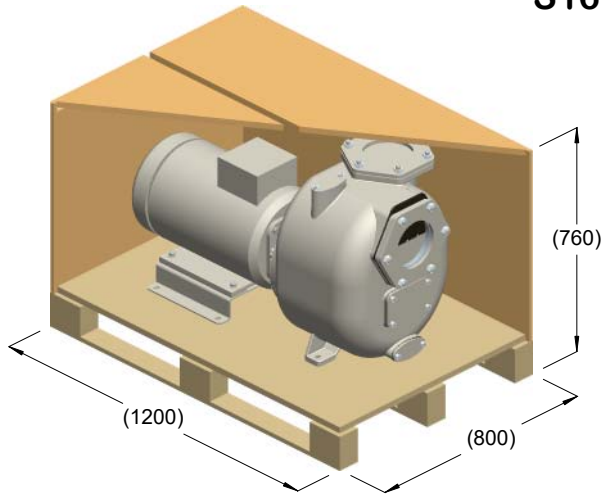
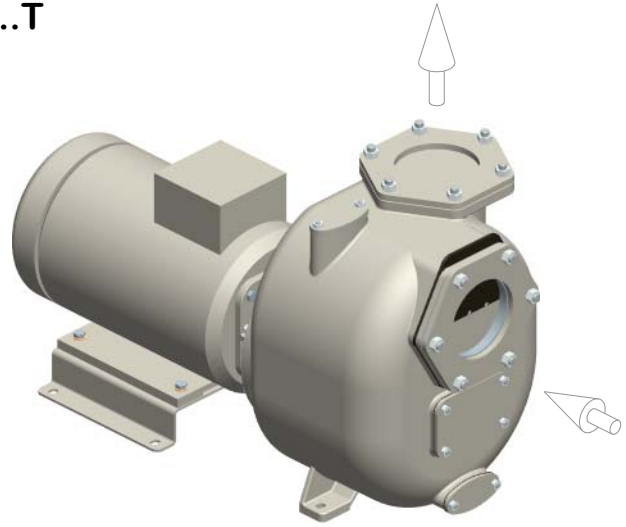


S161 ...T



kg = 309
m³ = 0.73



kg = 286

