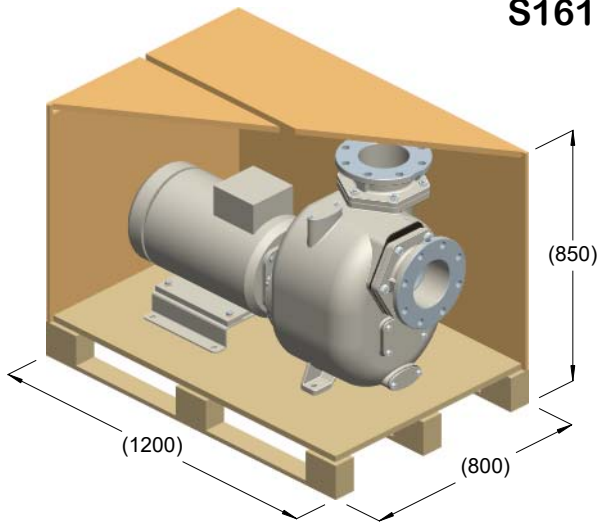
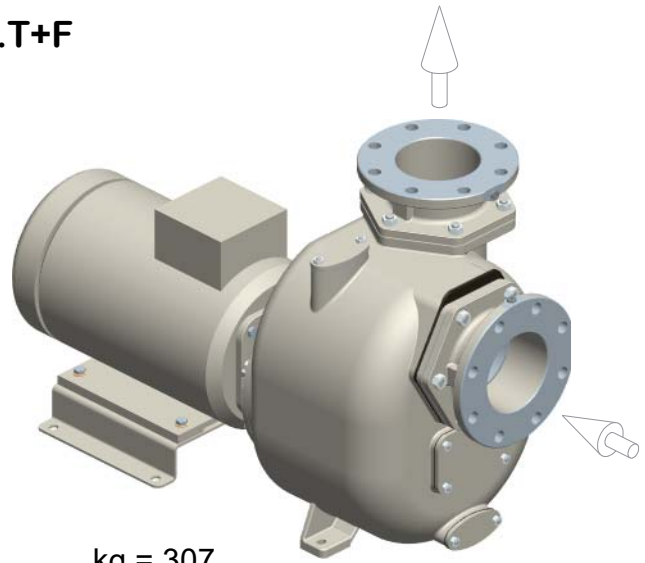


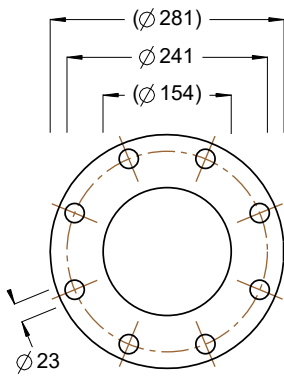
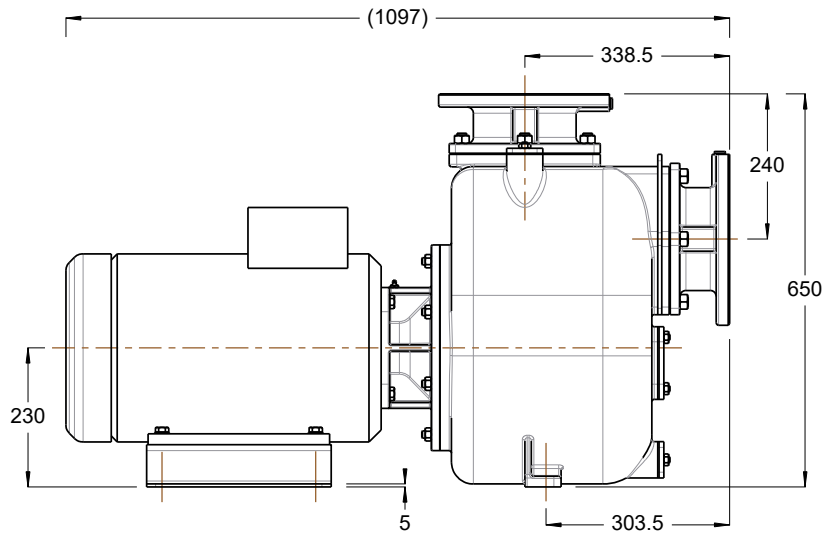
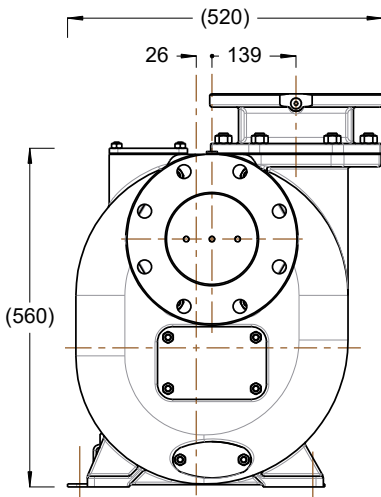
**S161 ...T+F**



kg = 332  
m<sup>3</sup> = 0.82



kg = 307



ISO DN150 PN16  
ANSI 6" 150lb

