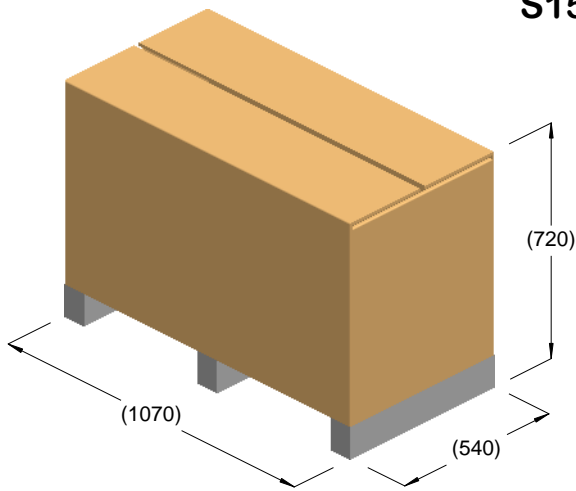
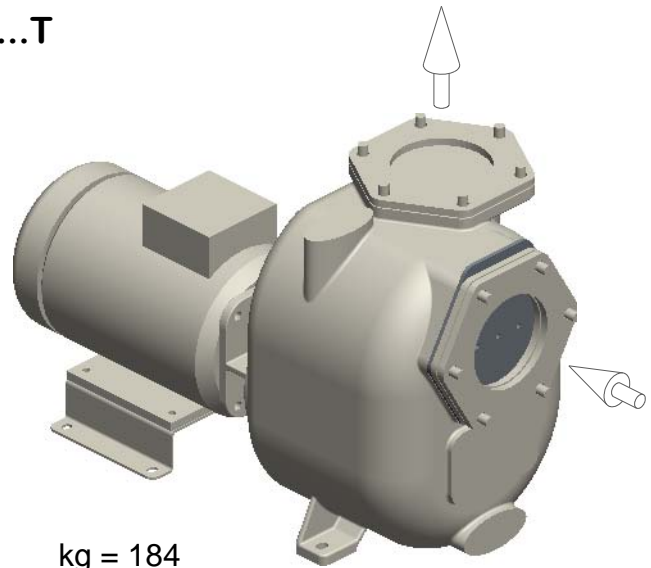


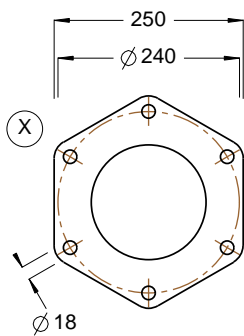
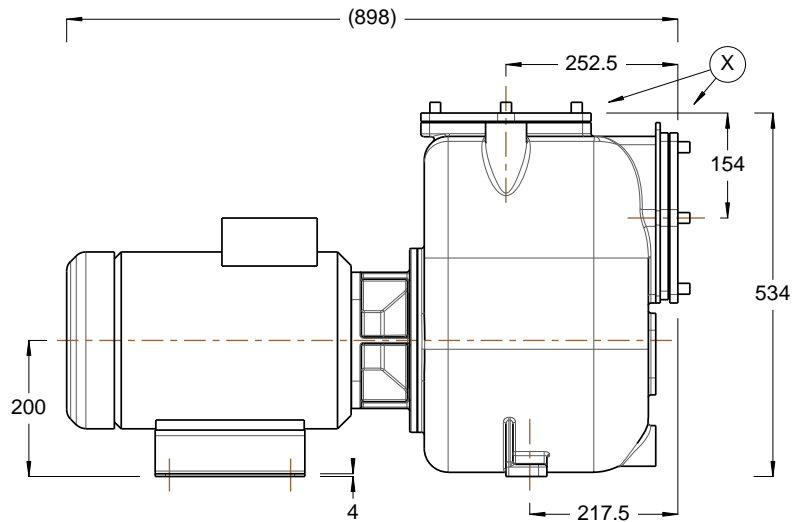
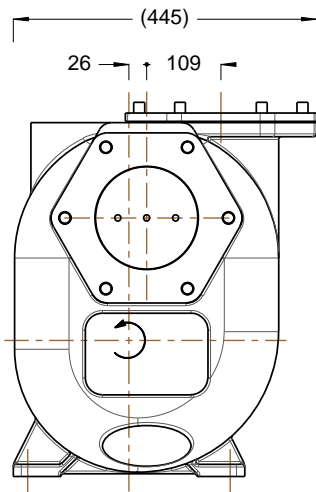
S150 ...T



kg = 198
m³ = 0.42



kg = 184



TO WELD

