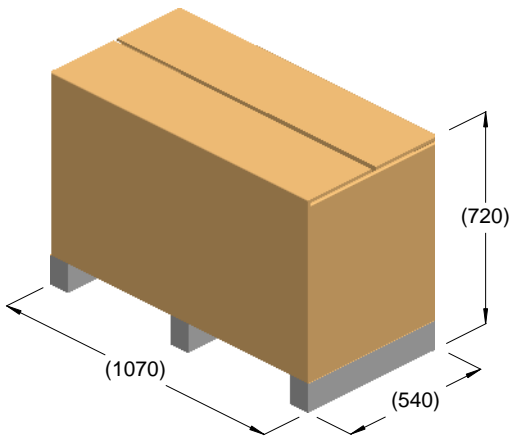
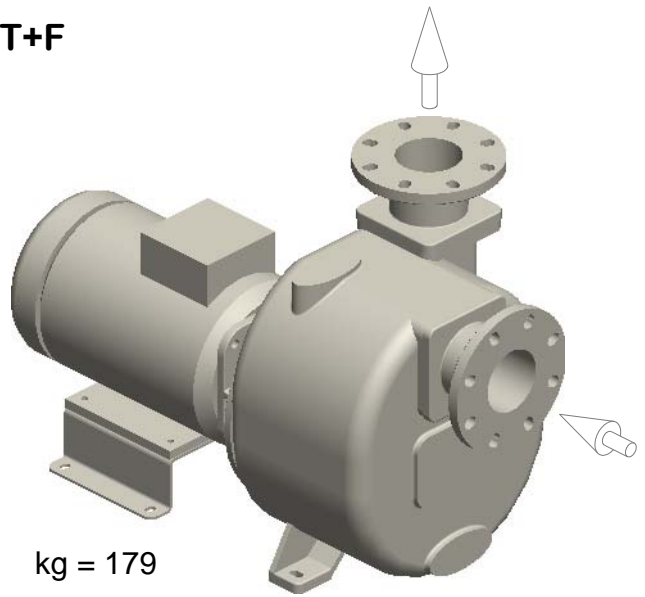


S121 ...T+F



kg = 193
m³ = 0.42



kg = 179

