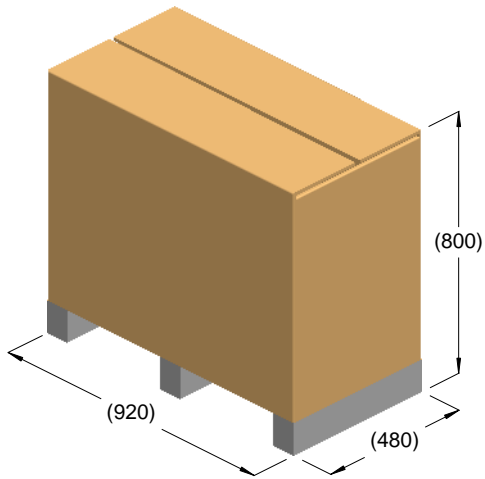
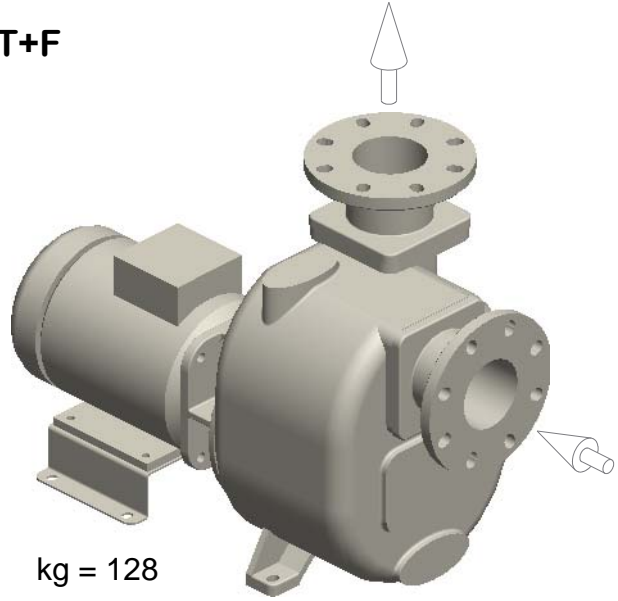


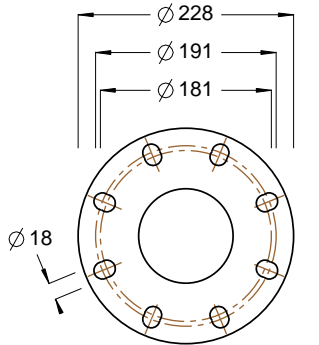
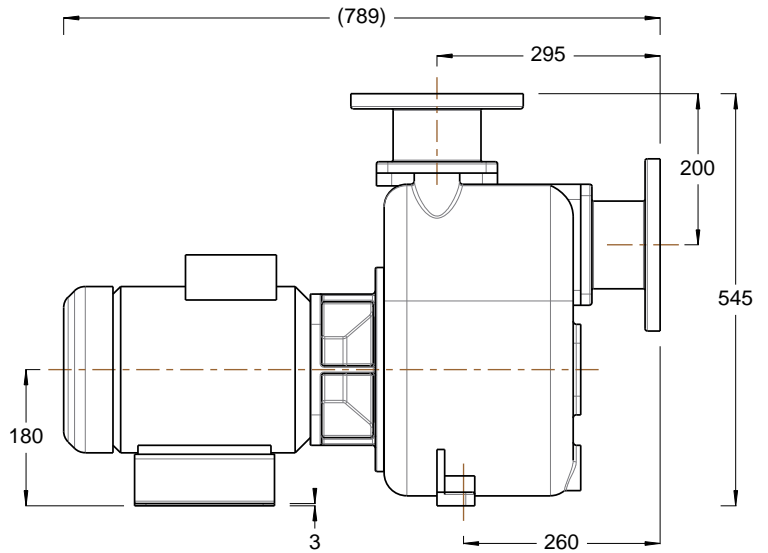
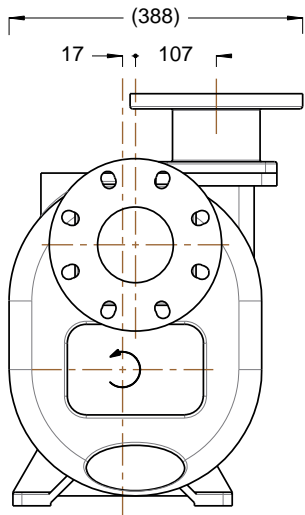
**S105 ...T+F**



kg = 139  
m<sup>3</sup> = 0.35



kg = 128



DN100 PN16 / ASA125 4"

