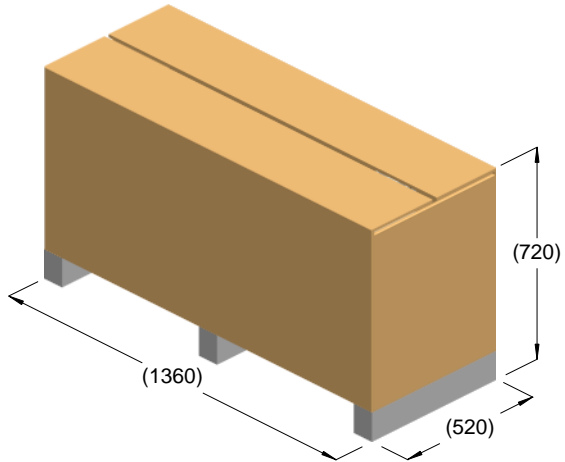
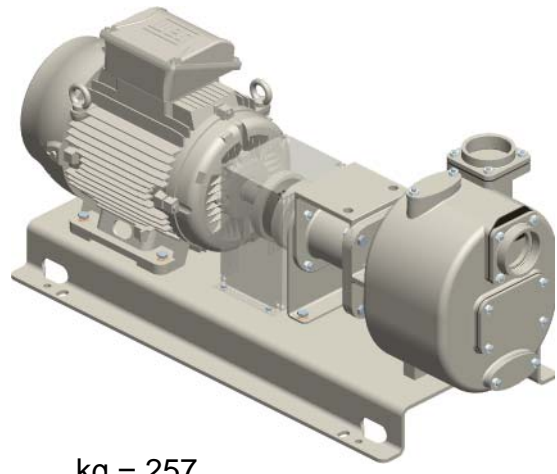


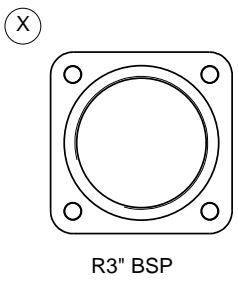
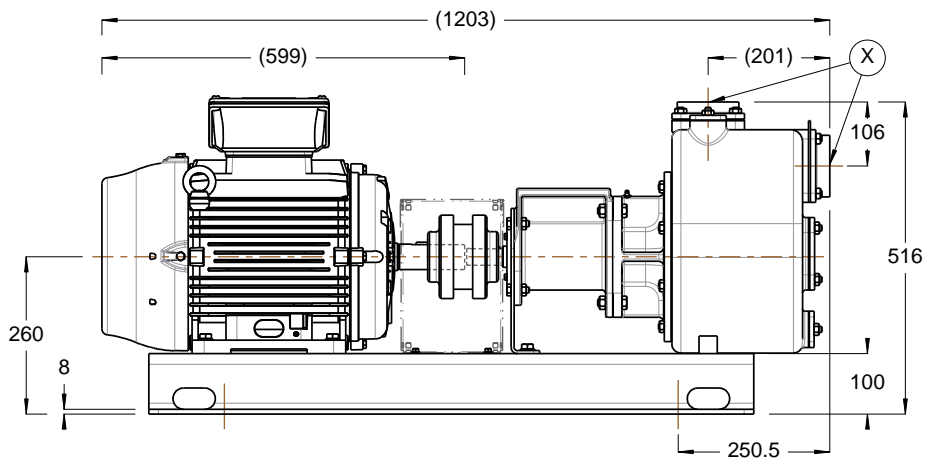
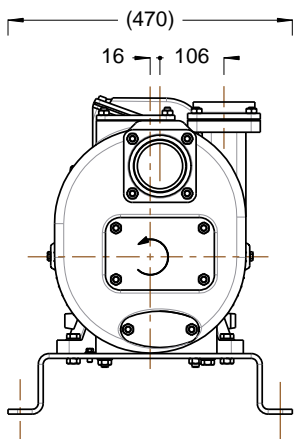
S 88 K..B/T



kg = 270
m³ = ***



kg = 257



R3" BSP

