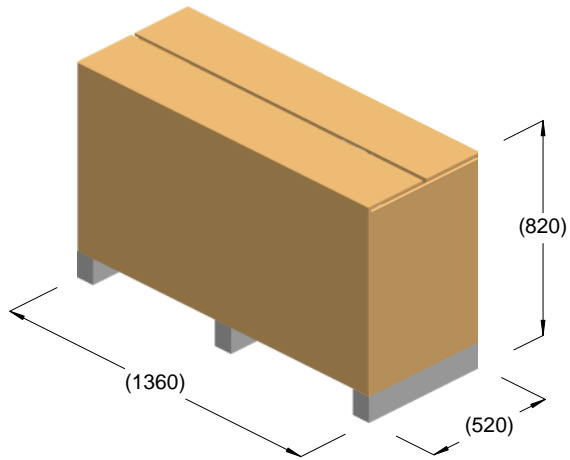
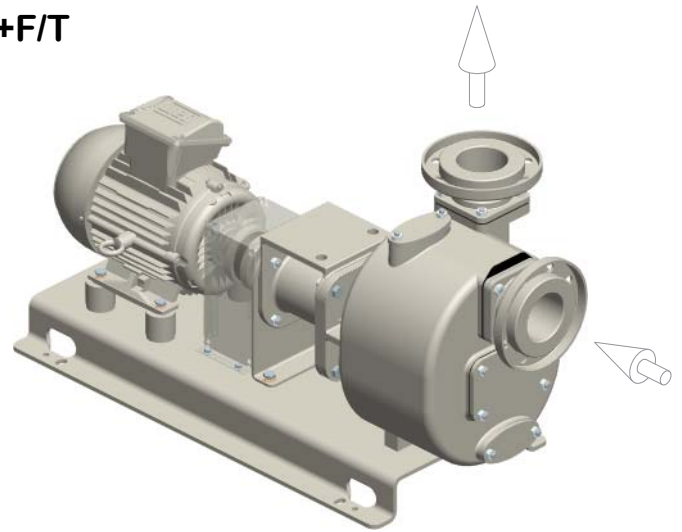


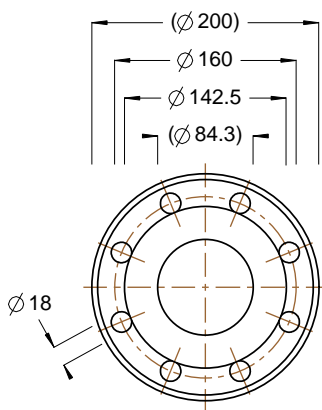
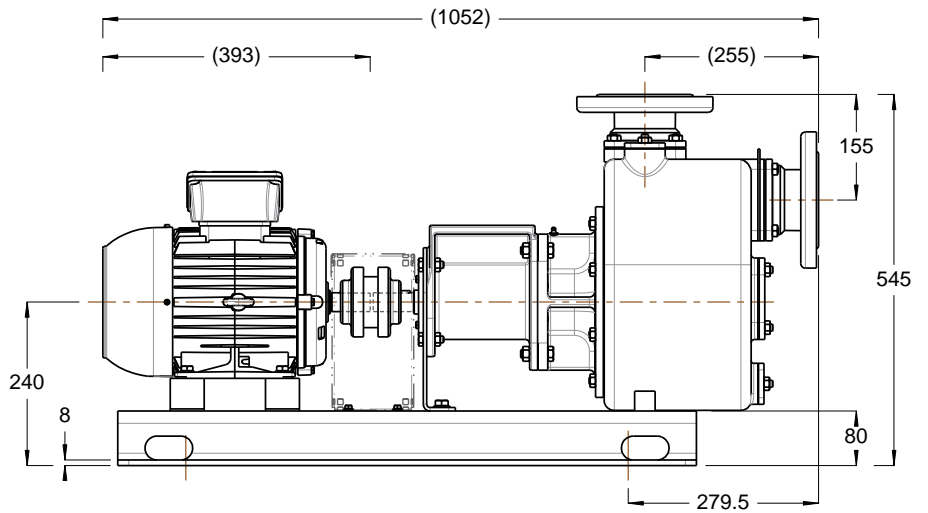
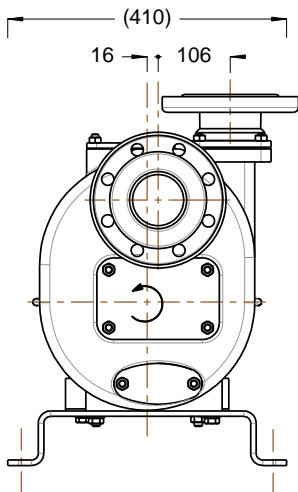
**S 85 K..B+F/T**



kg = 194  
m<sup>3</sup> = 0.58



kg = 180



ISO DN80 PN16

