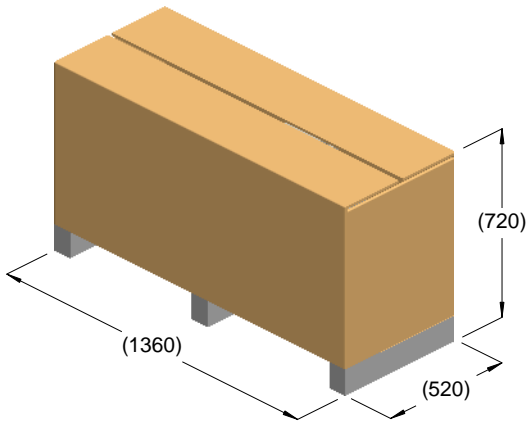
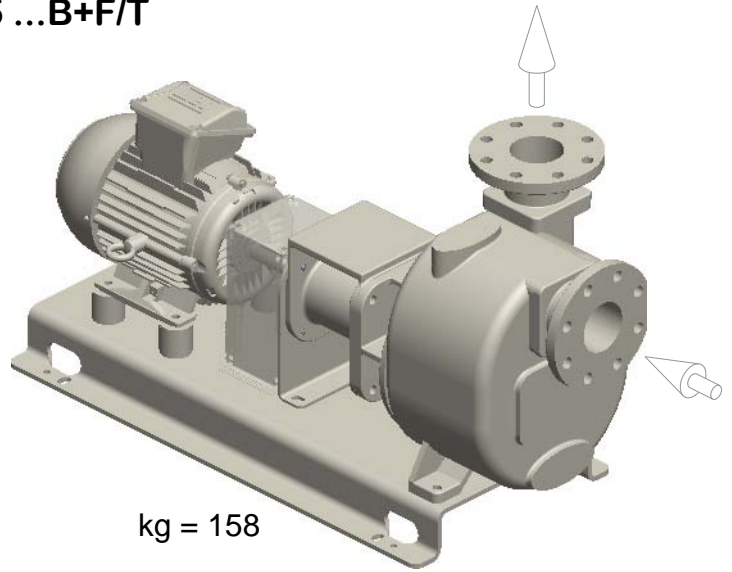


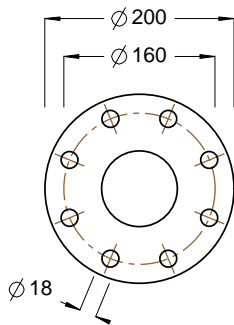
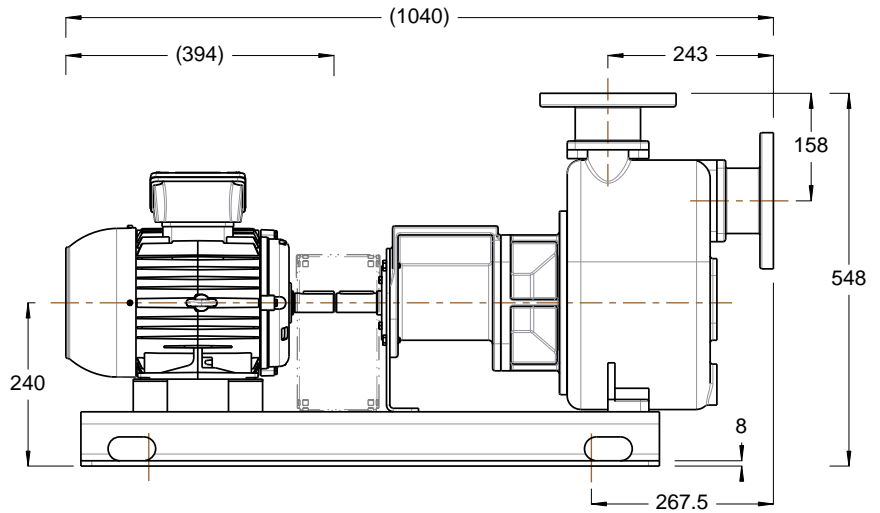
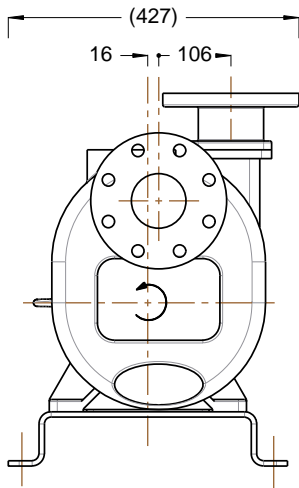
**S 85 ...B+F/T**



kg = 171  
m<sup>3</sup> = 0.51



kg = 158



DN80 PN16

