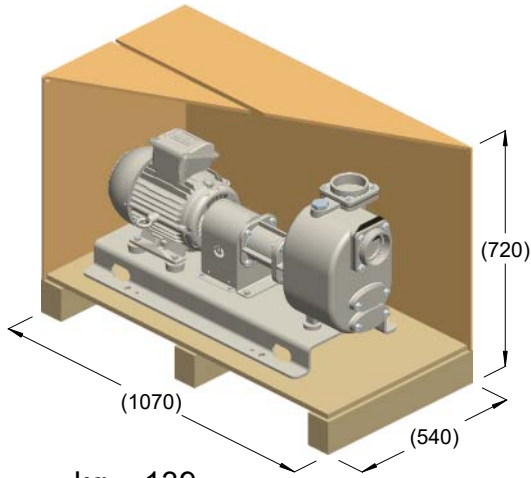
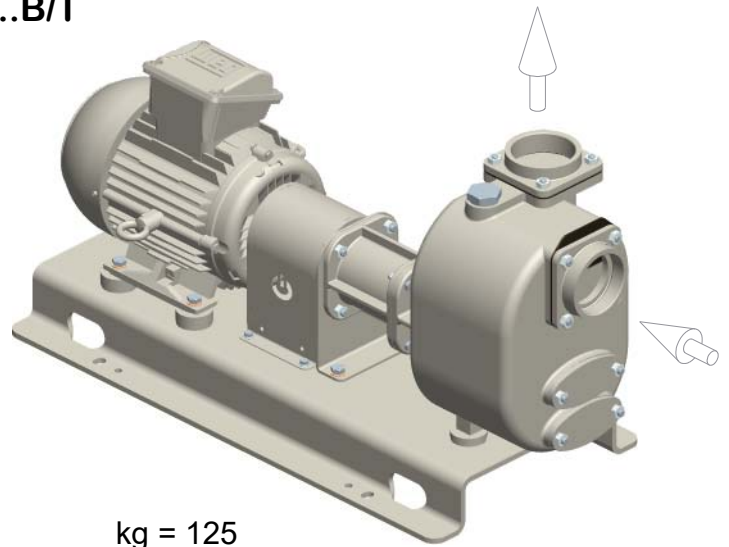


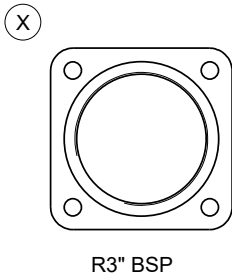
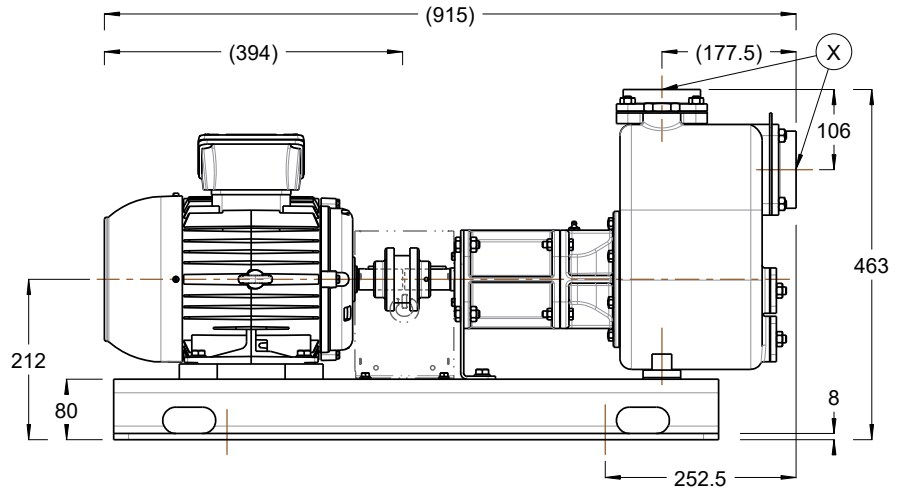
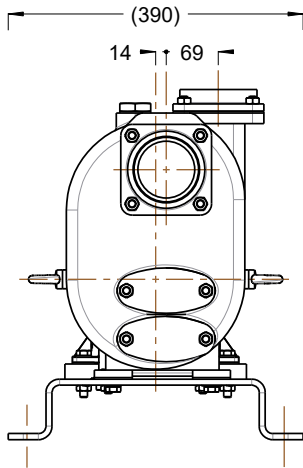
S 82 K..B/T



kg = 139
m³ = 0.42



kg = 125



R3" BSP

