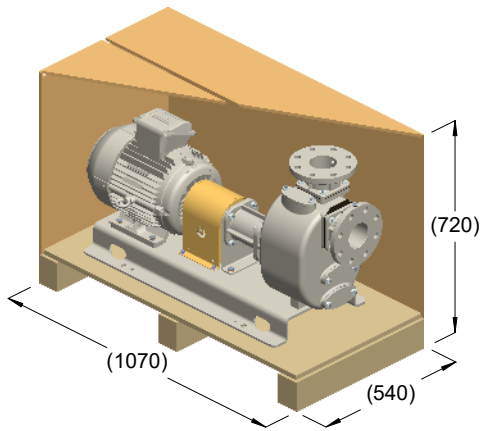
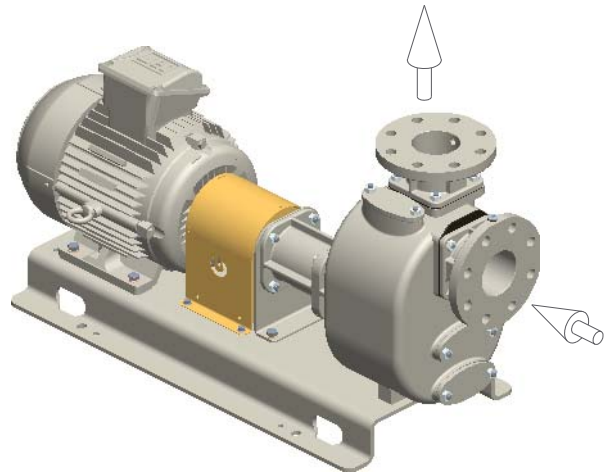


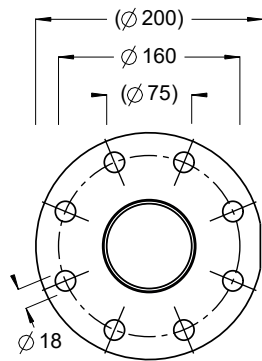
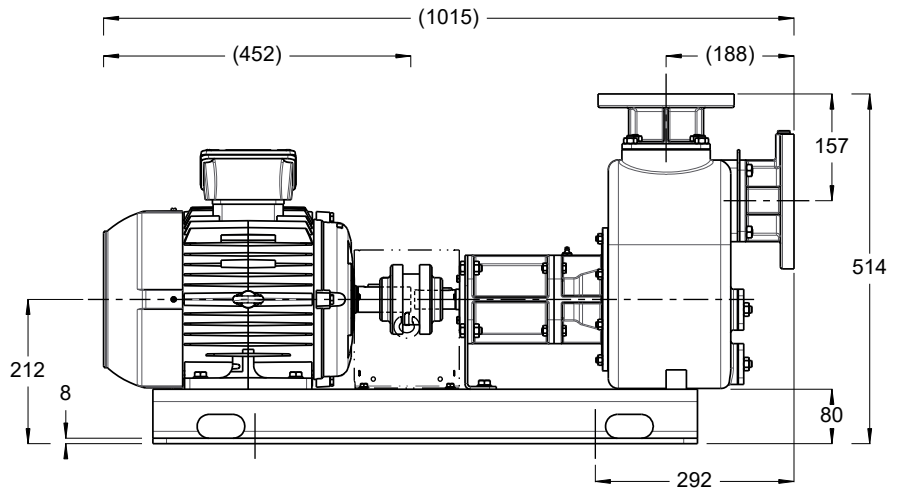
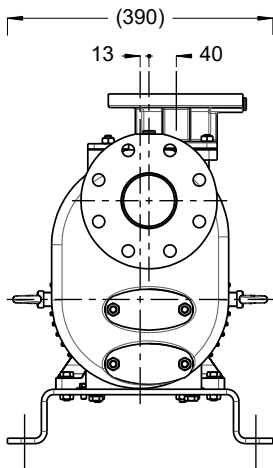
**S 80 ...B+F/T52**



kg = 167  
m<sup>3</sup> = 0.42



kg = 153



ISO DN80 PN16

