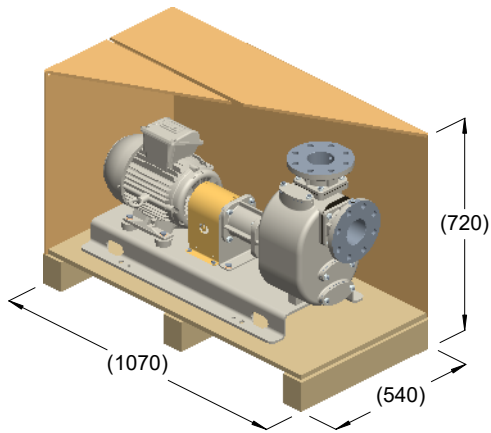
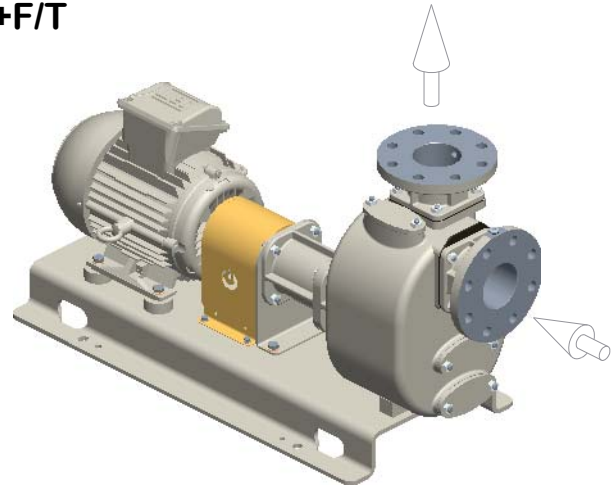


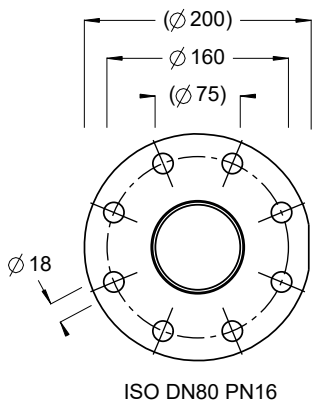
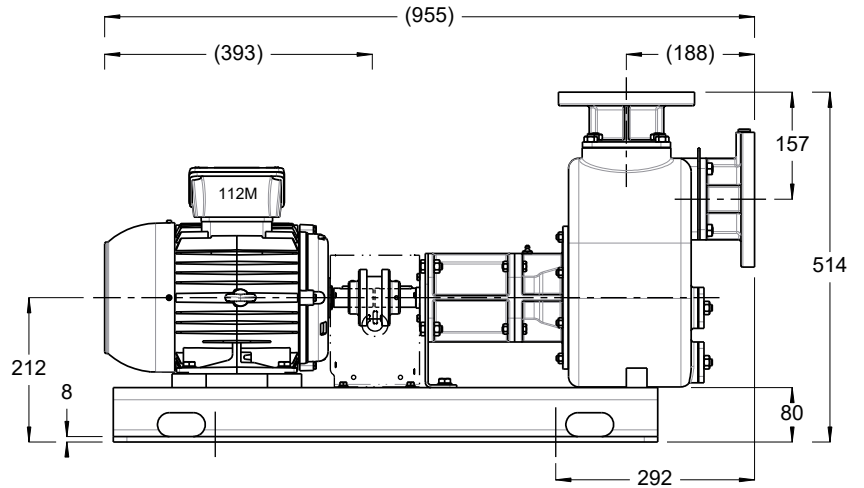
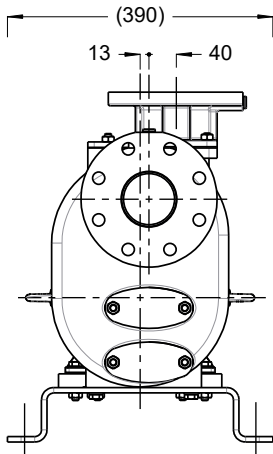
S 80 ...B+F/T



kg = 144
m³ = 0.42



kg = 130



ISO DN80 PN16

