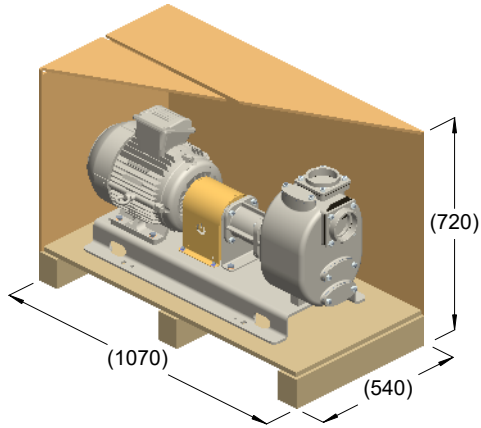
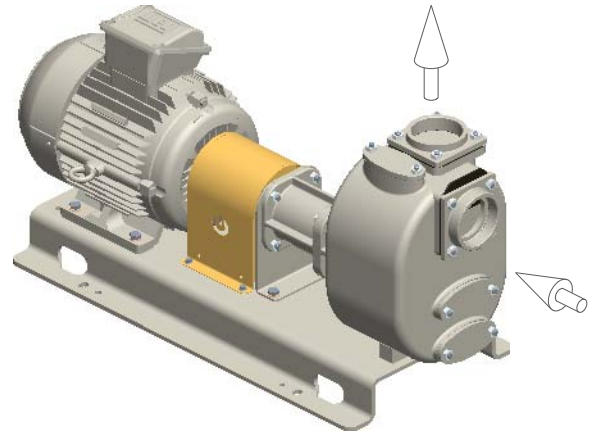


S 80 ...B/T52



kg = 158
m³ = 0.42



kg = 144

