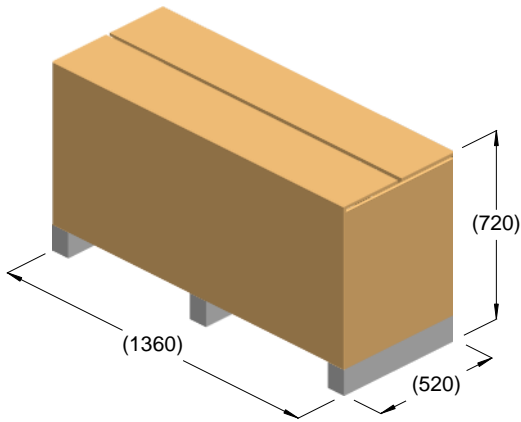
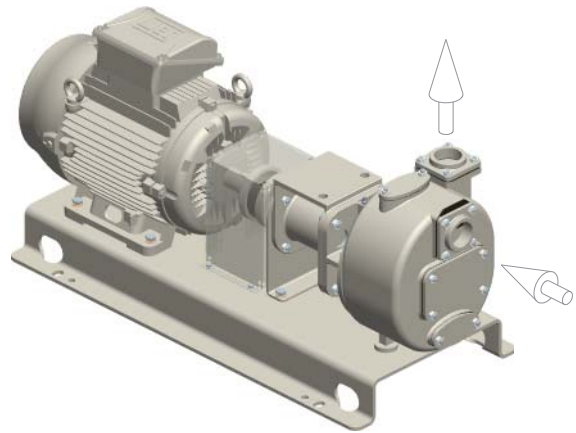


**S 69 K..B/T**



kg = 232  
m<sup>3</sup> = 0.51



kg = 219

