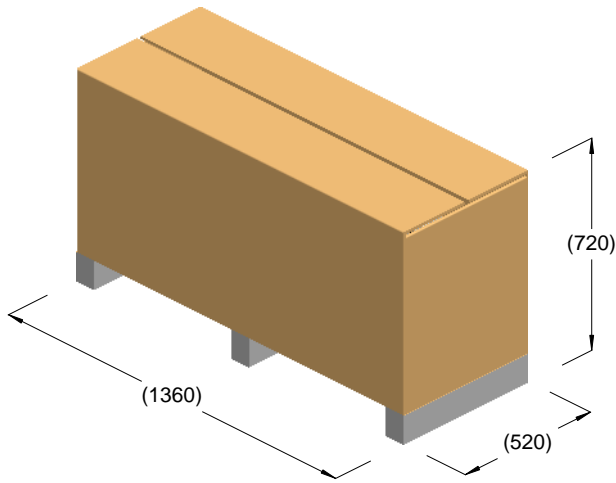
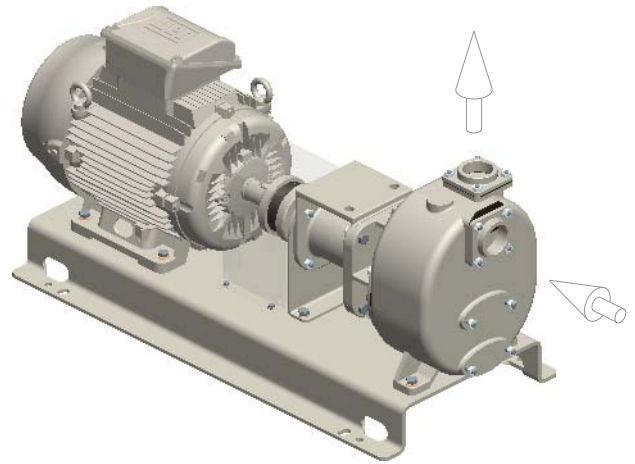


**S 68 ...B/T**



kg = 227  
m<sup>3</sup> = 0.51



kg = 214

