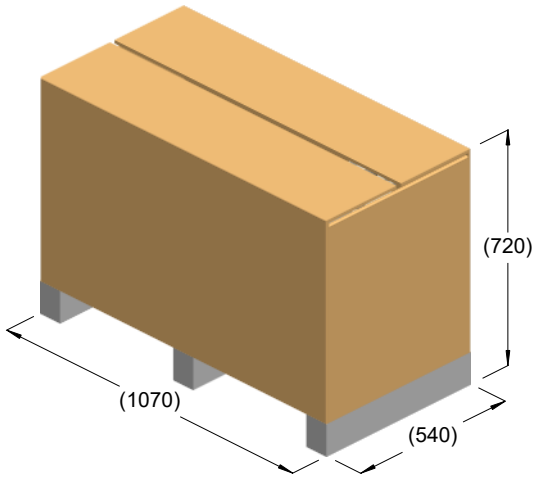
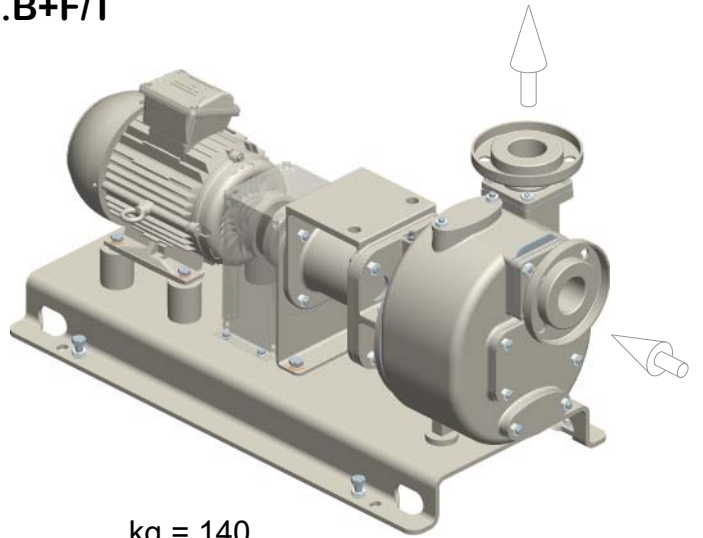


**S 66 K..B+F/T**



kg = 154  
m<sup>3</sup> = 0.42



kg = 140

