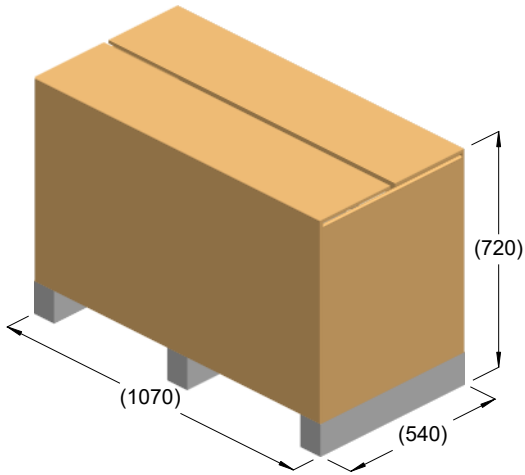
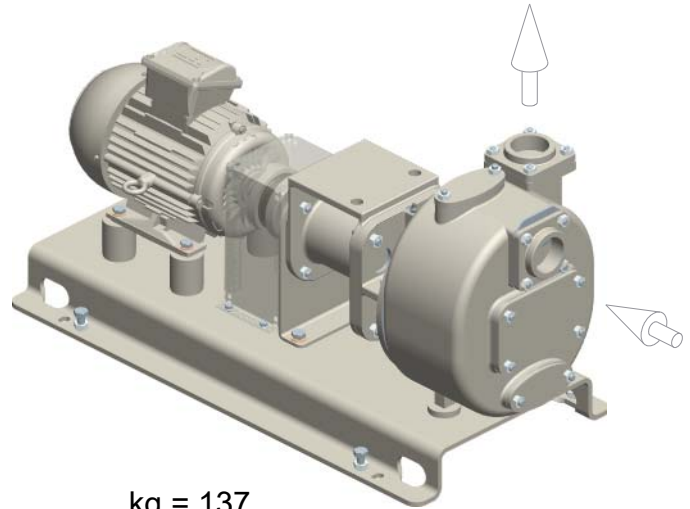


S 66 K..B/T



kg = 151
m³ = 0.42



kg = 137

