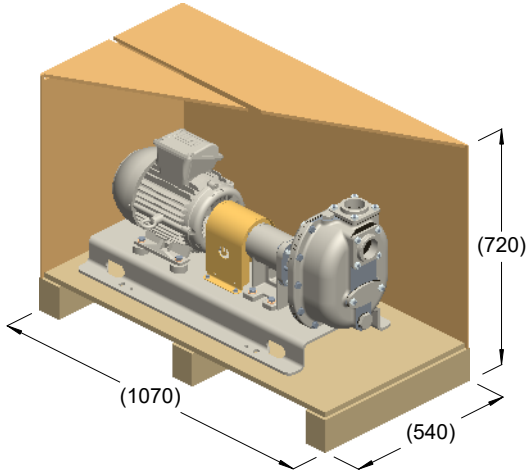
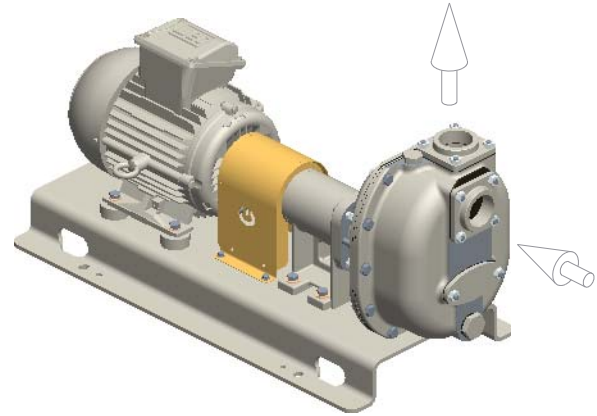


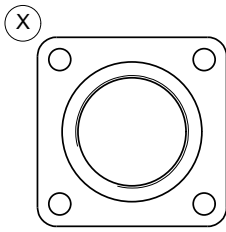
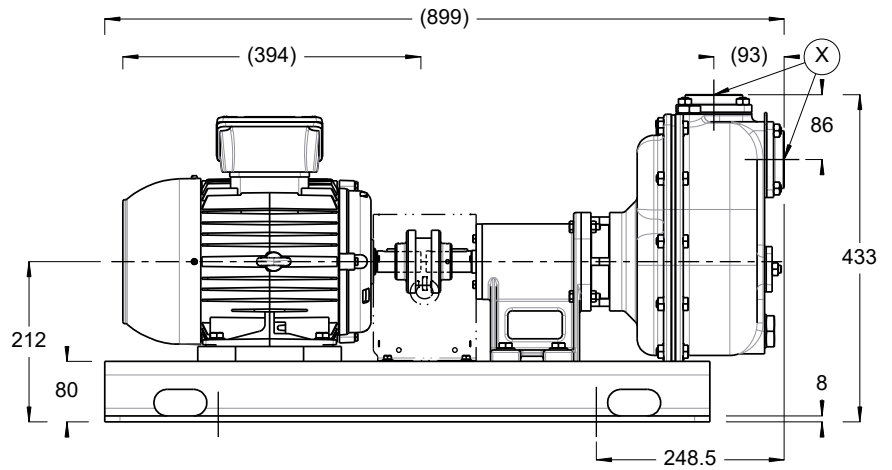
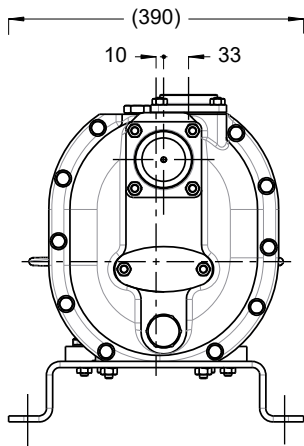
S 61 K..S/T



kg = 127
m³ = 0.42



Kg=113



R2" BSP

