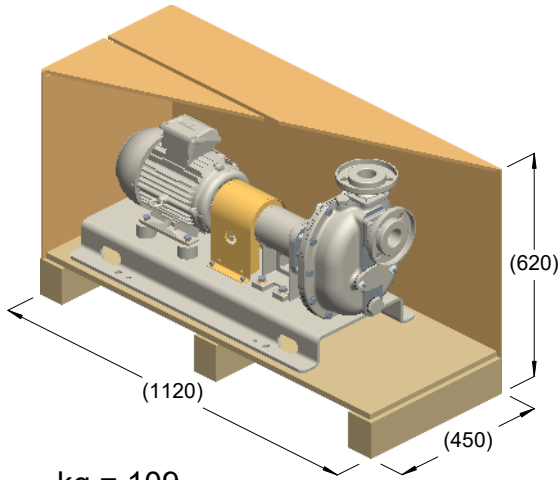
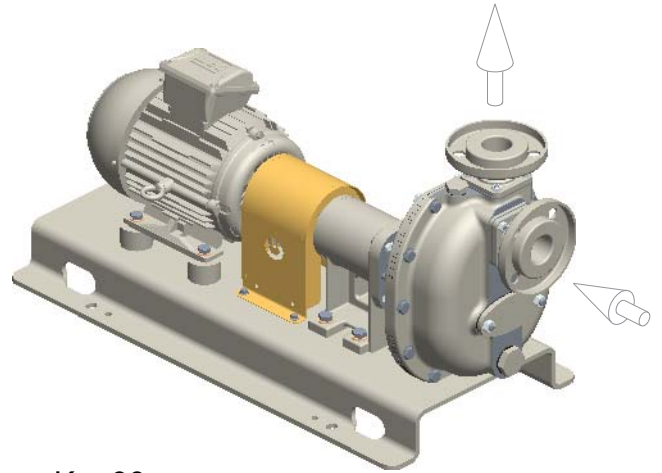


S 46 K..S+F/T



kg = 109
m³ = 0.31



kg=99

