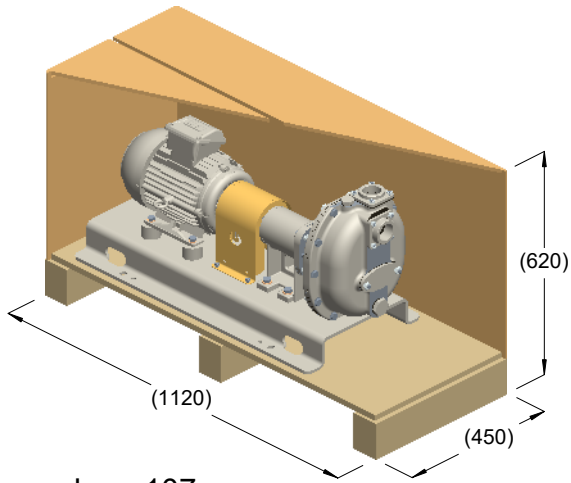
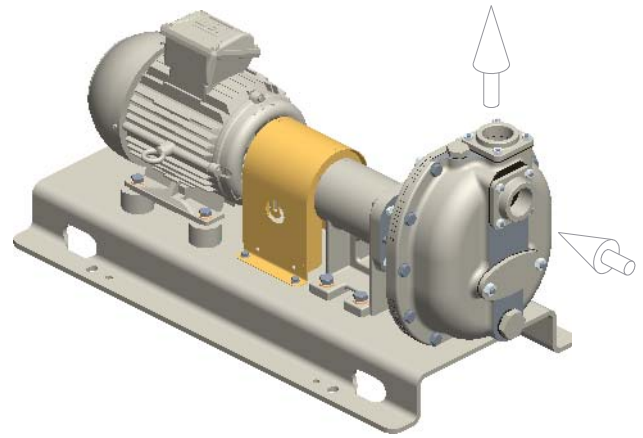


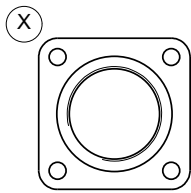
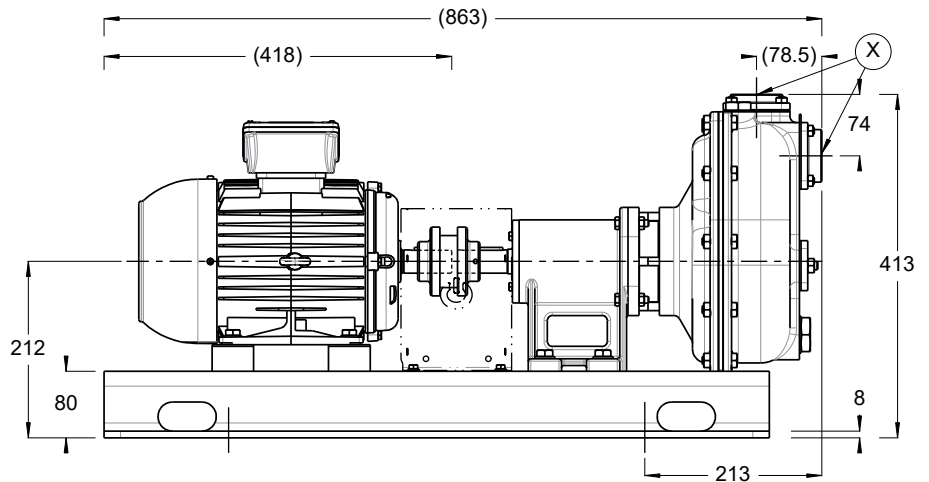
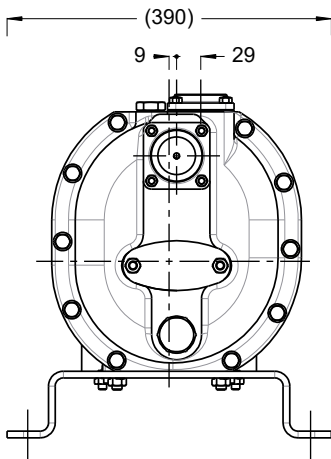
S 46 K..S/T



kg = 107
m³ = 0.31



kg=97



R1½ BSP

