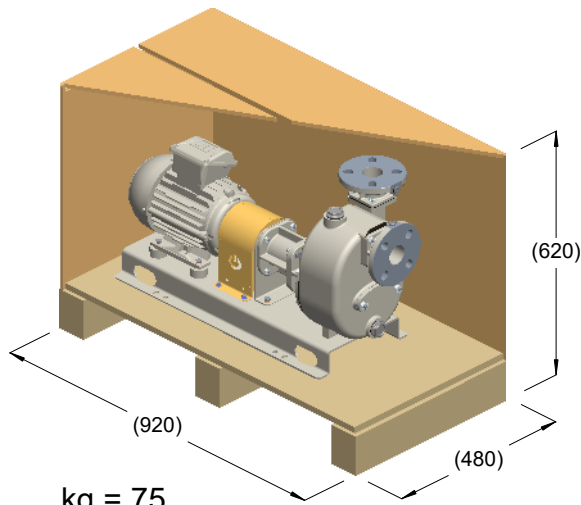
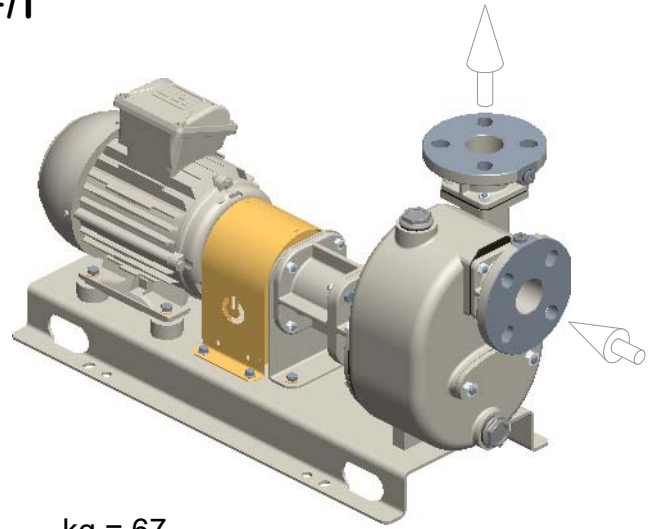


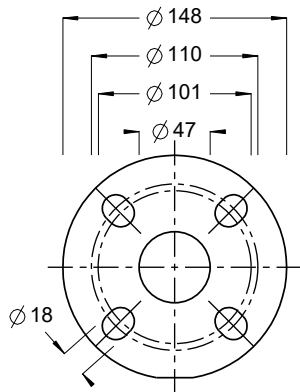
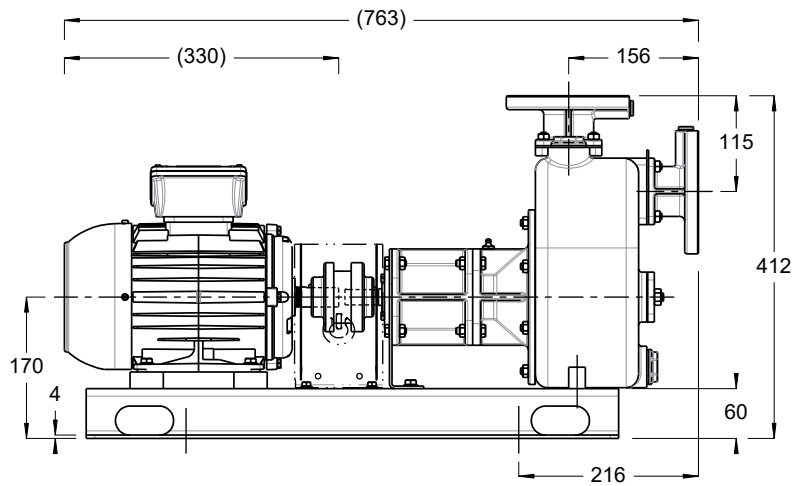
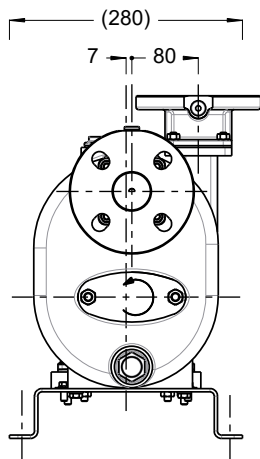
**S 45 ...B+F/T**



kg = 75  
m<sup>3</sup> = 0.27



kg = 67



ISO DN40 PN16  
ANSI 1½" 125lb

