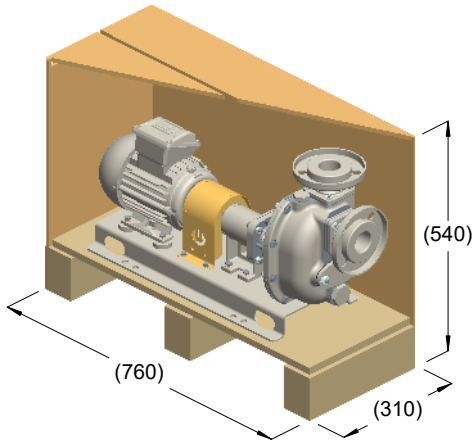
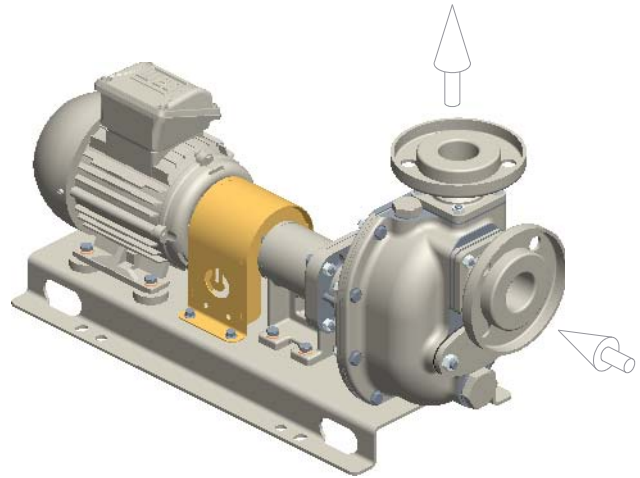


**S 41 K..S+F/T**



kg = 50  
m<sup>3</sup> = 0.13



kg = 44

