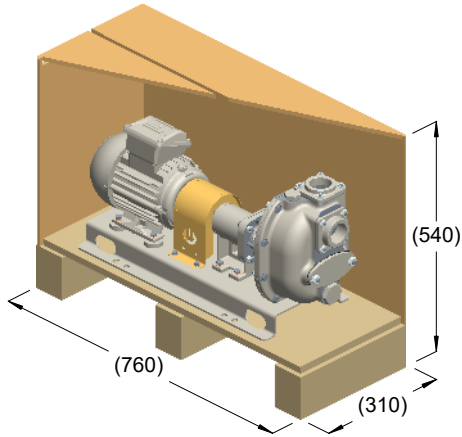
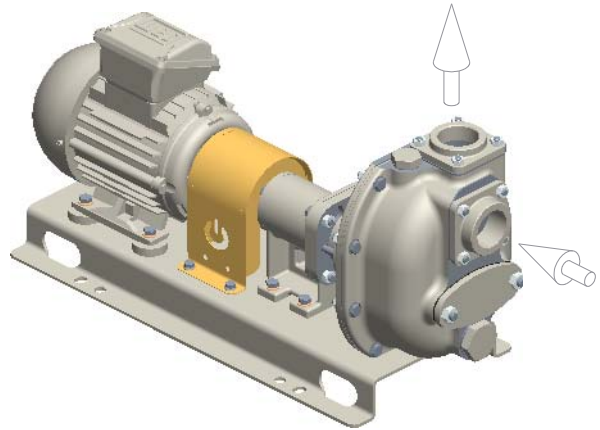


**S 41 K..S/T**



kg = 48  
m<sup>3</sup> = 0.13



kg = 42

