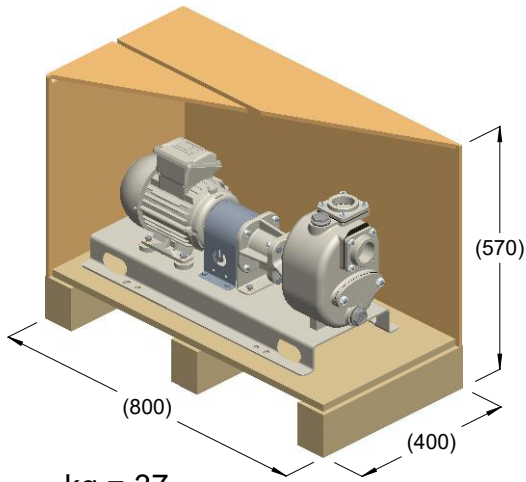
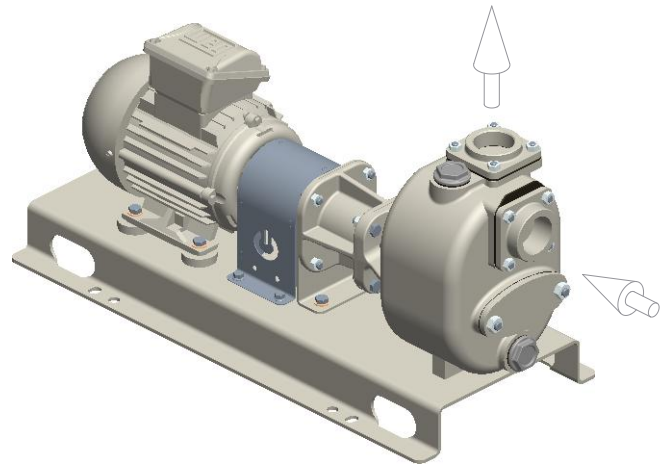


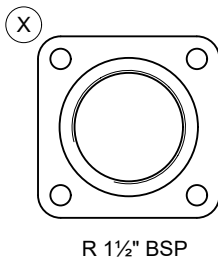
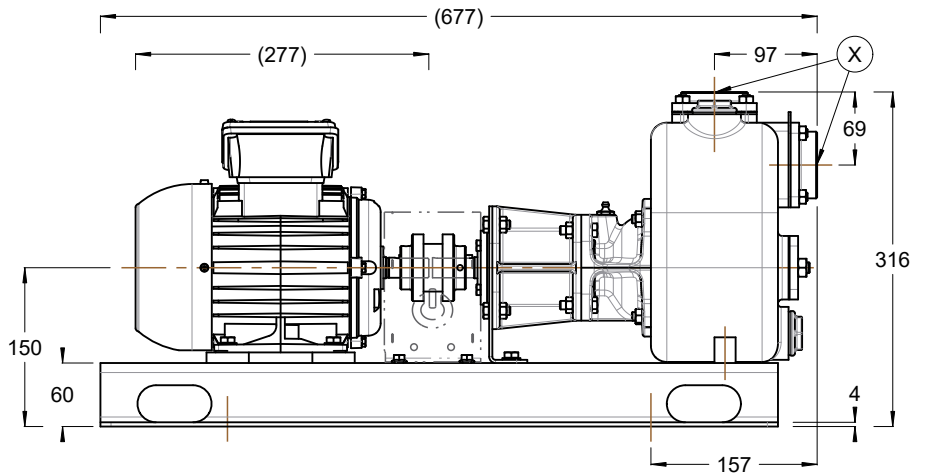
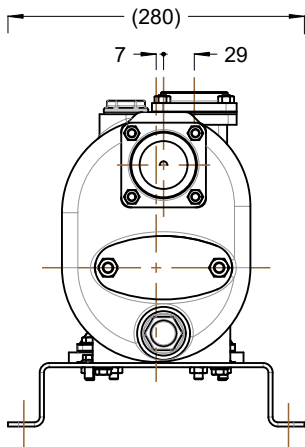
S 40 ...B/T



kg = 37
m³ = 0.18



kg = 31



R 1½" BSP

