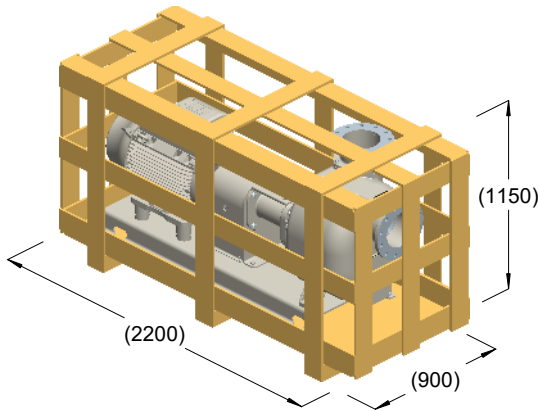
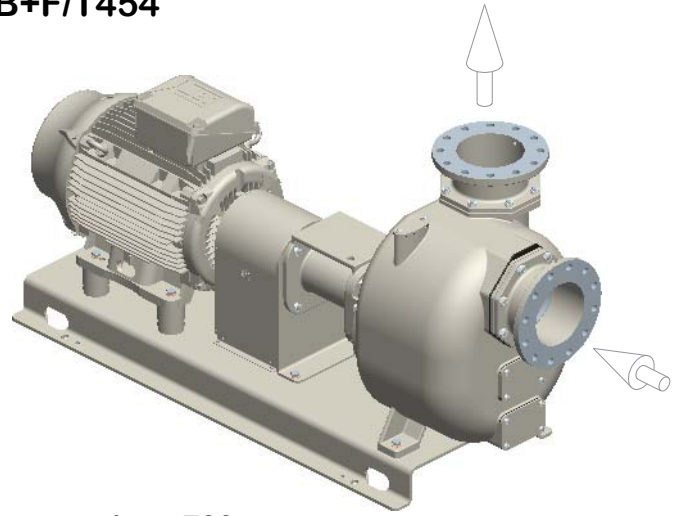


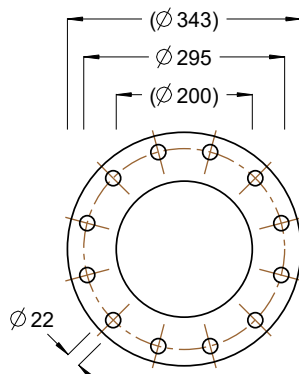
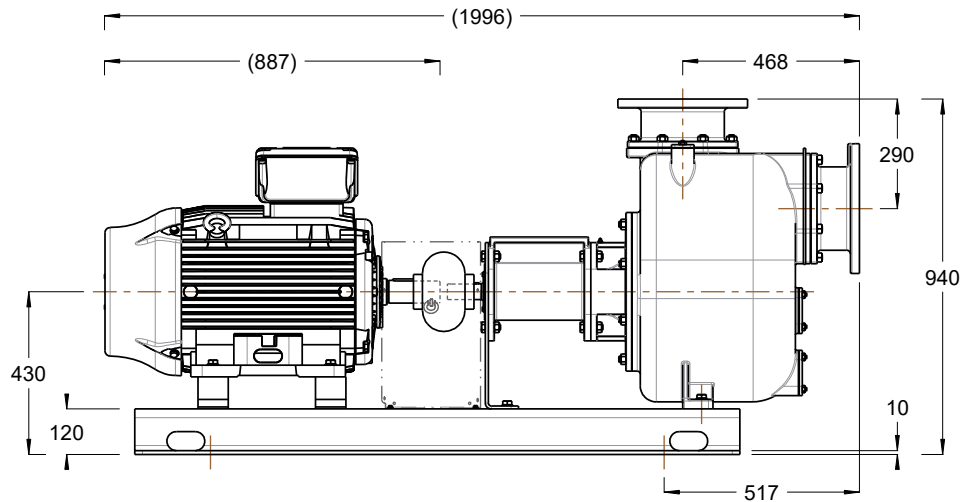
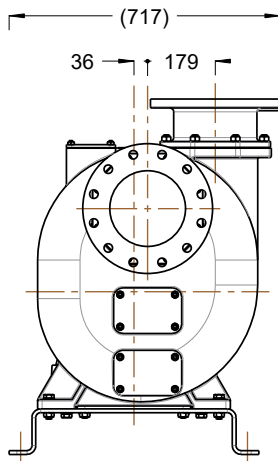
S230 ...B+F/T454



kg = 806
m³ = 2.51



kg = 703



ISO DN200 PN16
AISI 8" 125lb

