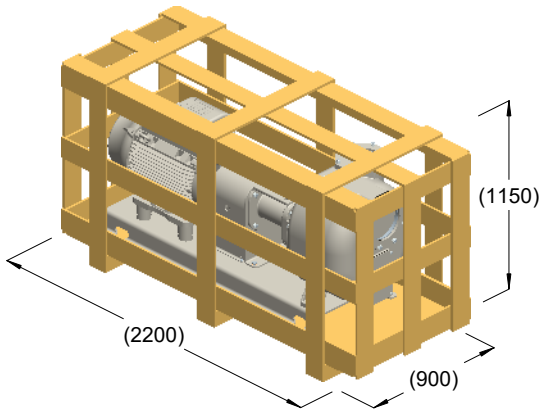
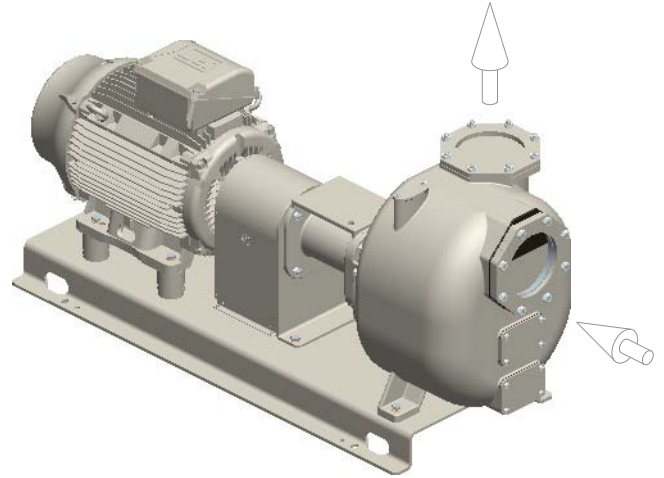


**S230 ...B/T454**



kg = 774  
m<sup>3</sup> = 2.51



kg = 672

