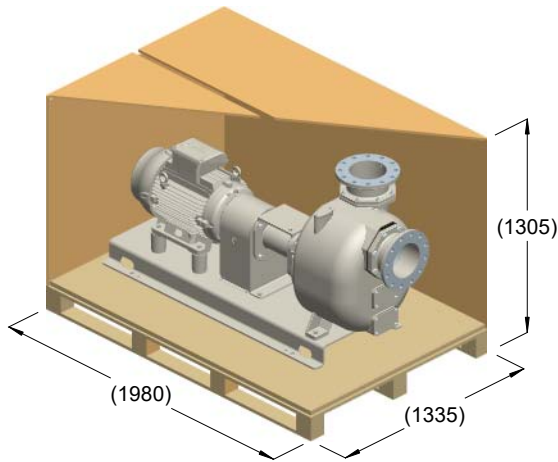
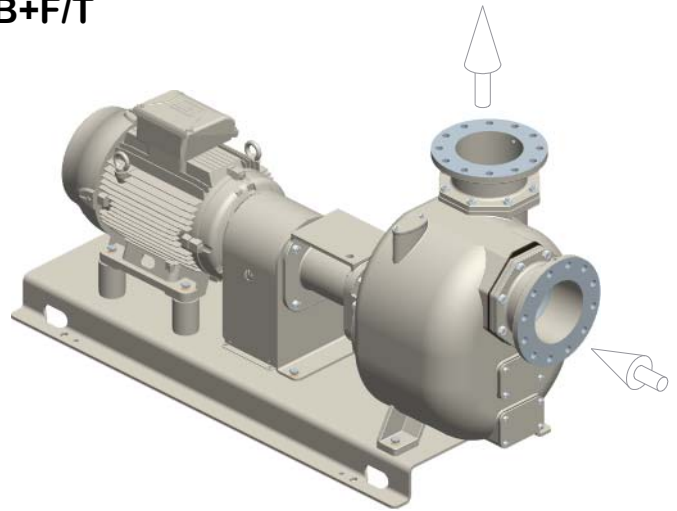


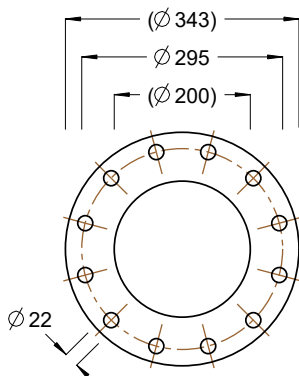
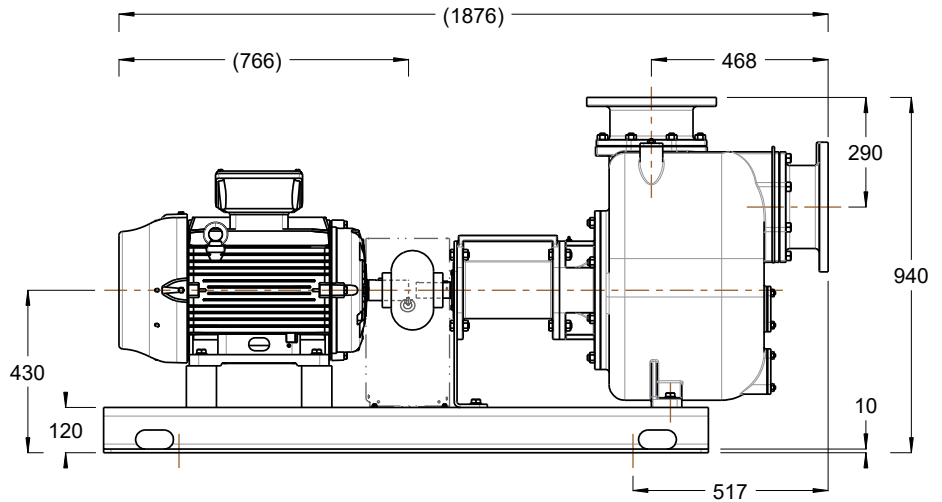
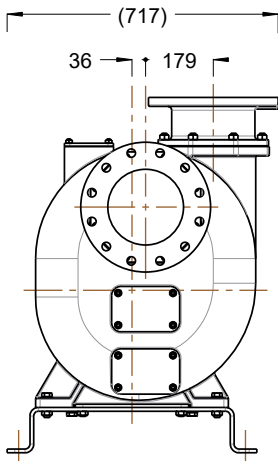
**S220 ...B+F/T**



kg = 623  
m<sup>3</sup> = 2.50



kg = 558



ISO DN200 PN16  
AISI 8" 125lb

