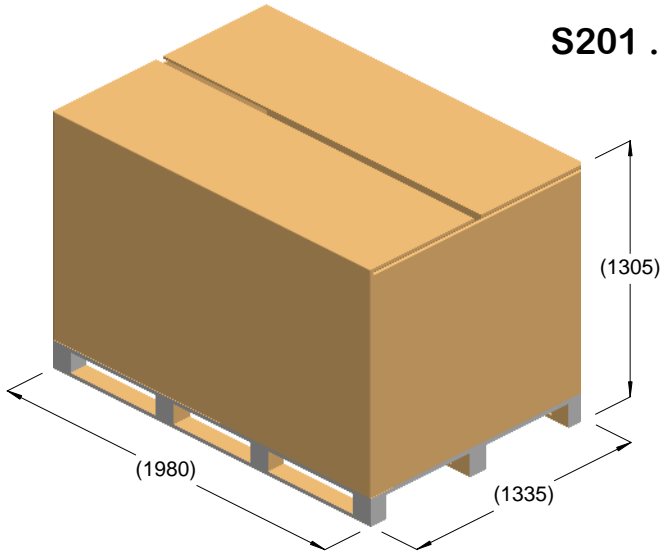
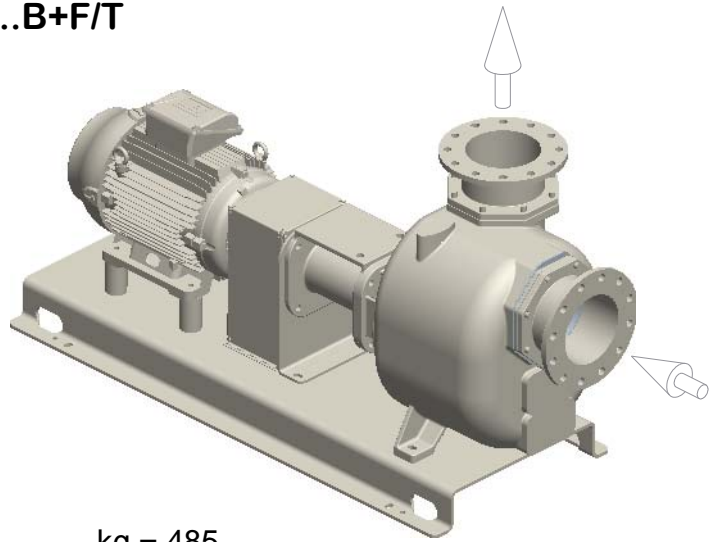


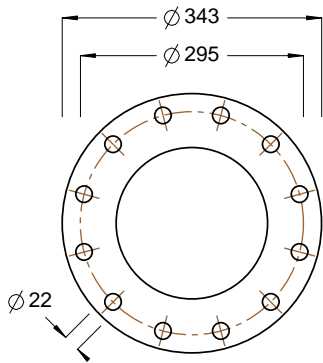
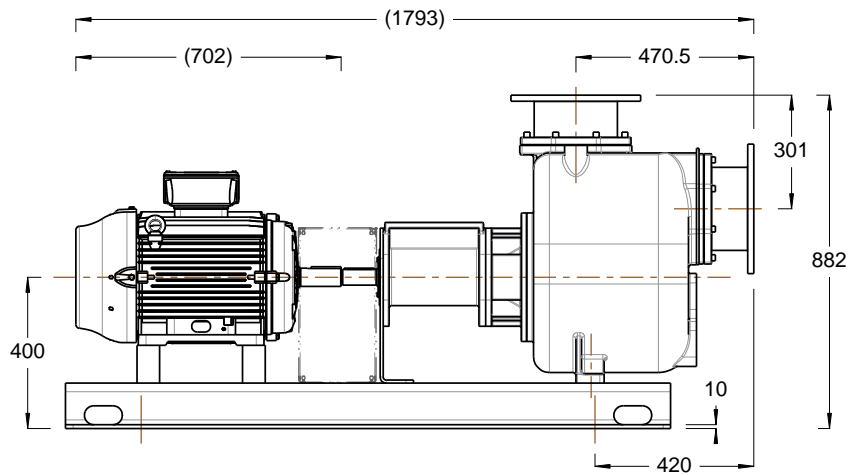
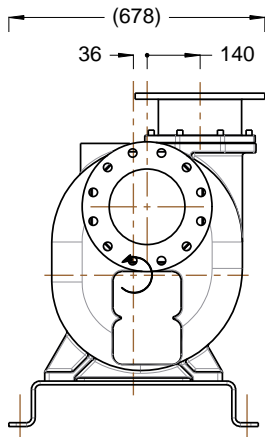
**S201 ...B+F/T**



kg = 550  
m<sup>3</sup> = 3.50



kg = 485



DN200 PN16 / ASA125 8"

