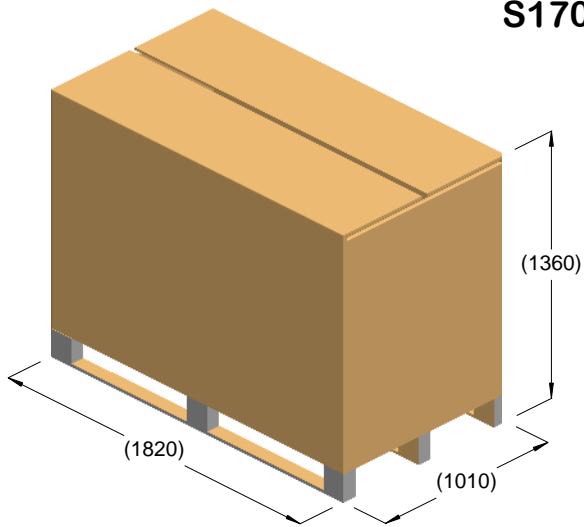
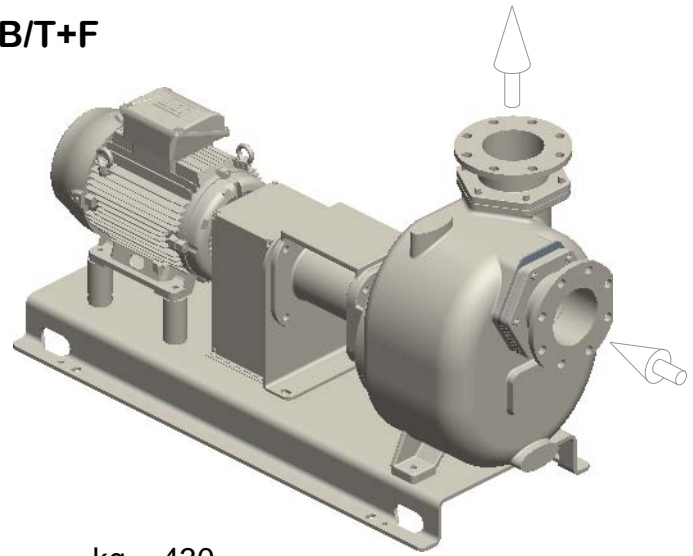


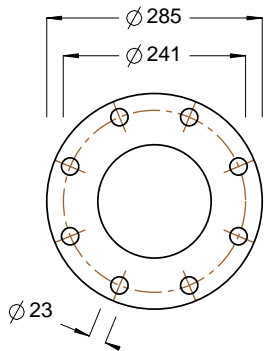
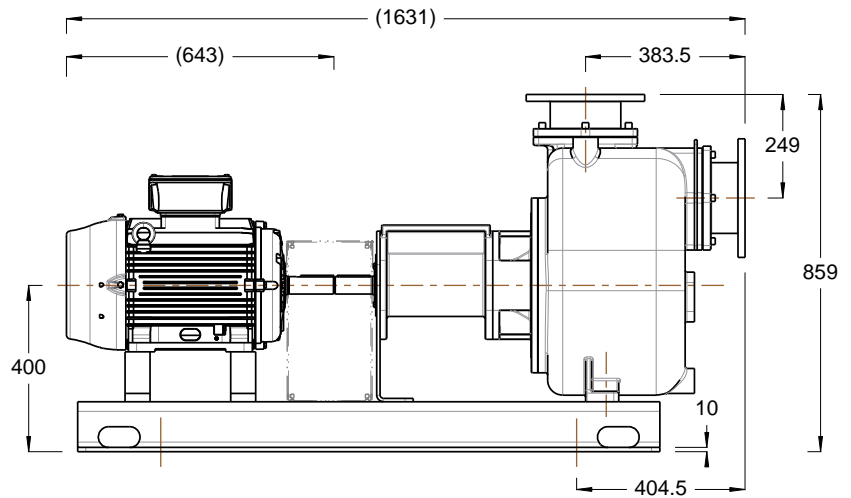
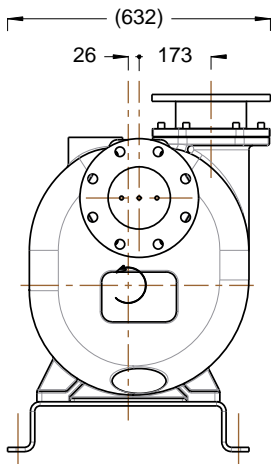
**S170 ...B/T+F**



kg = 468  
m<sup>3</sup> = 2.50



kg = 430



DN150 PN16 / ASA125 6"

