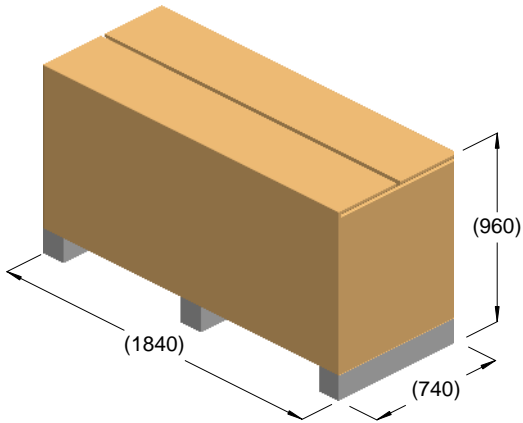
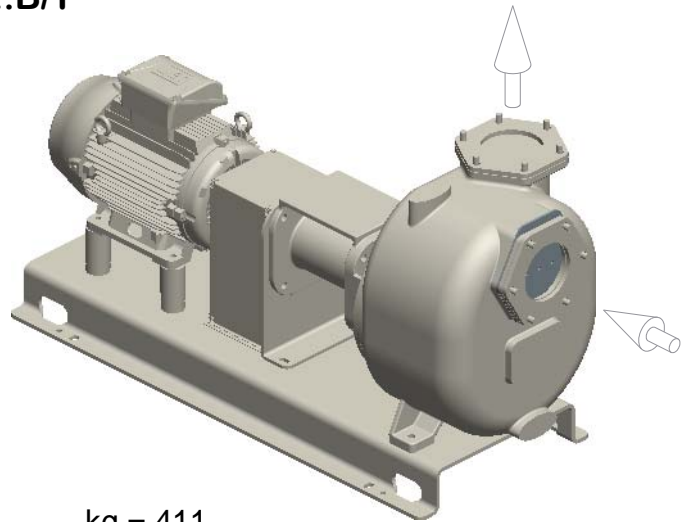


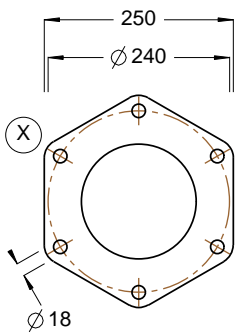
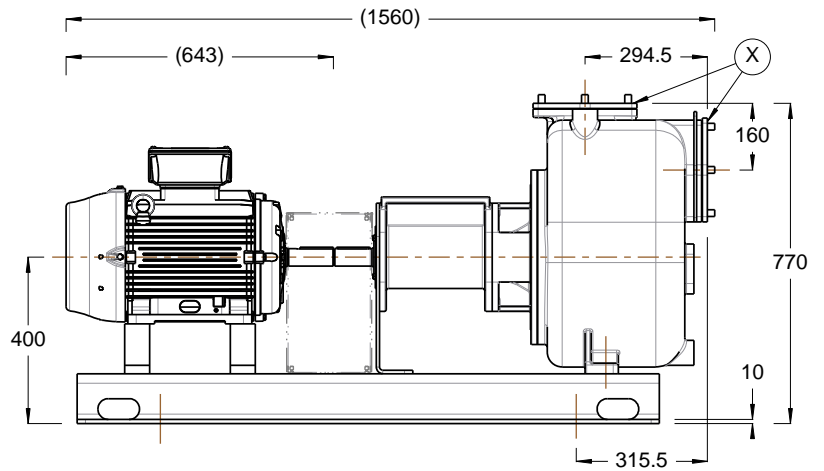
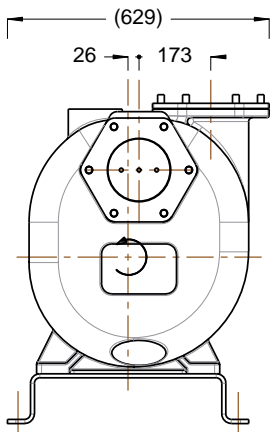
S170 ...B/T



kg = 441
m³ = 1.28



kg = 411



TO WELD

