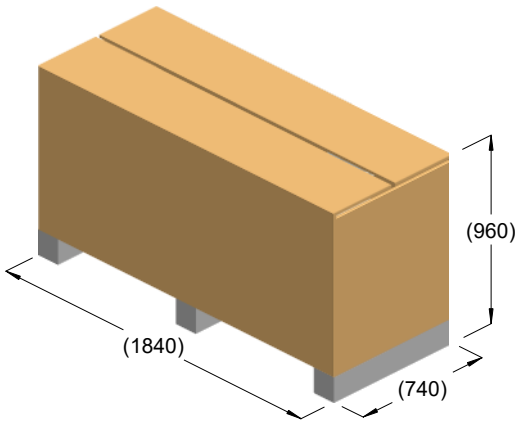
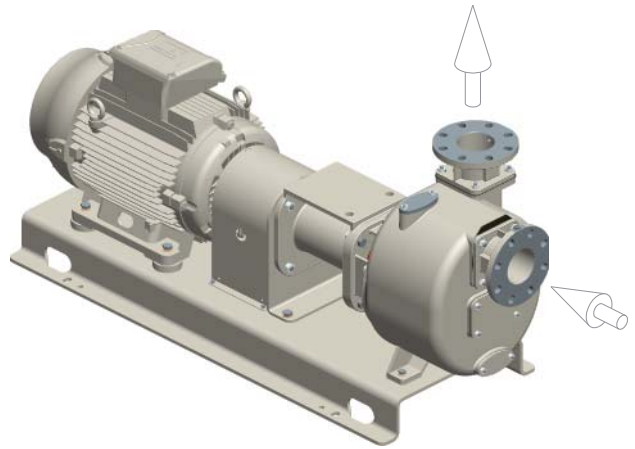


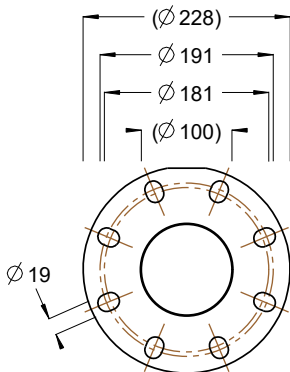
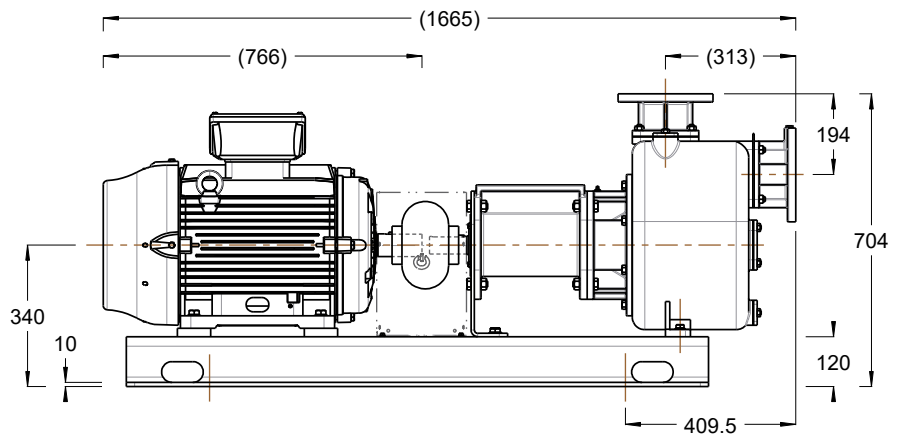
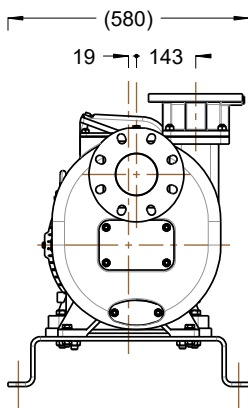
S126 ...B+F/T



kg = 558
m³ = 1.29



kg = 528



ISO DN100 PN16
ANSI 4" 125lb

