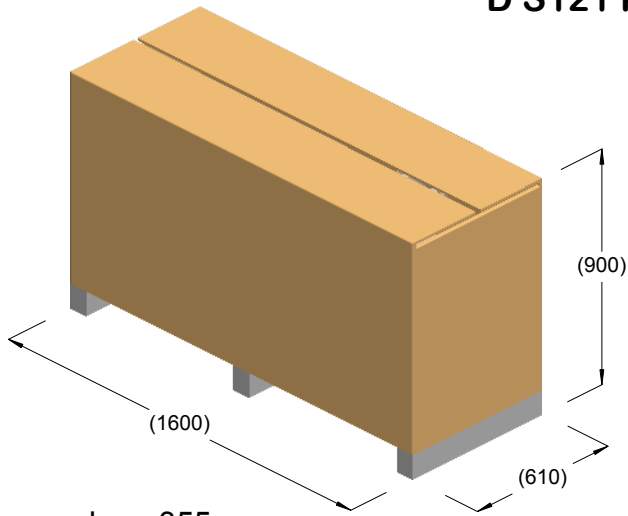
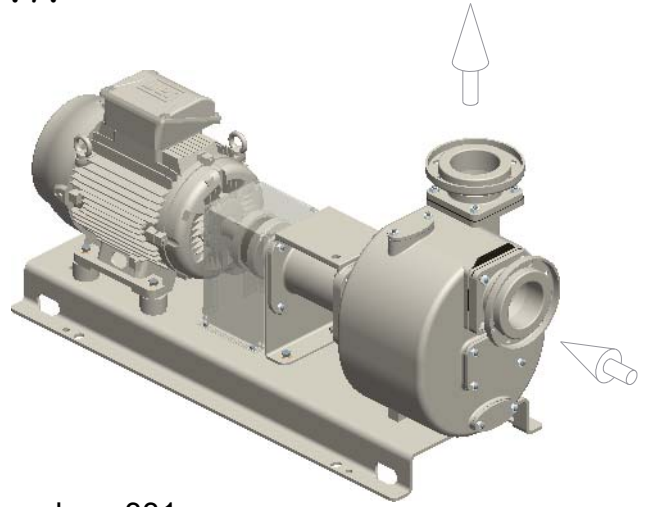


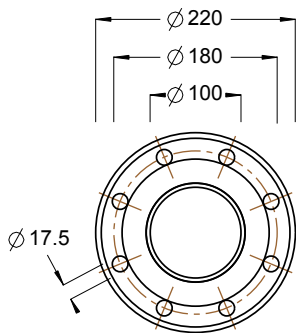
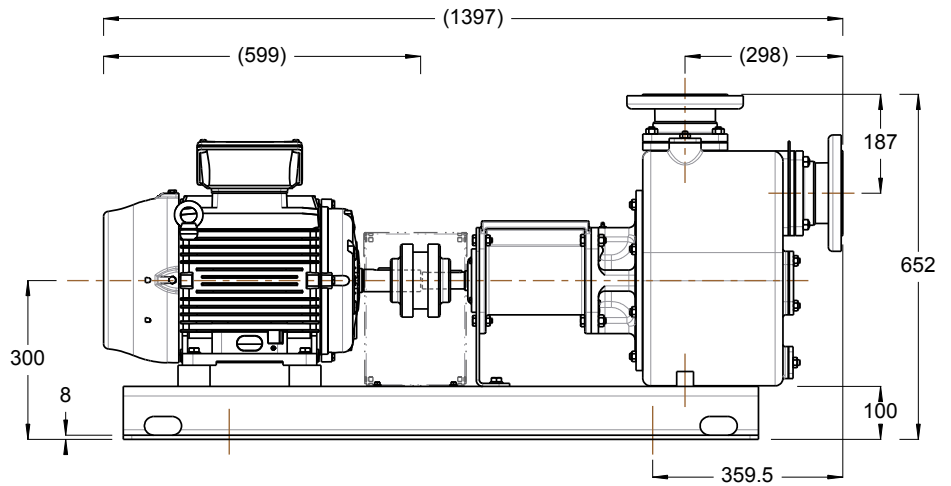
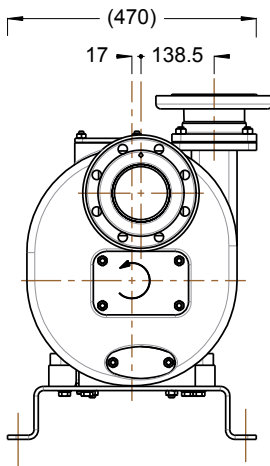
D S121 K..B+F/T



kg = 355
m³ = 0.88



kg = 331



ISO DN100 PN16

