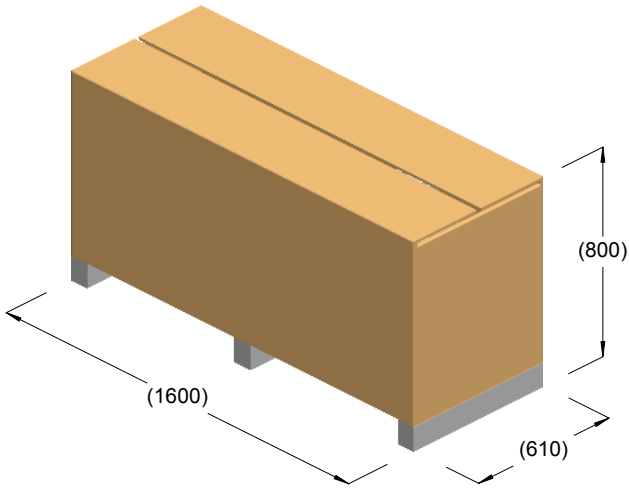
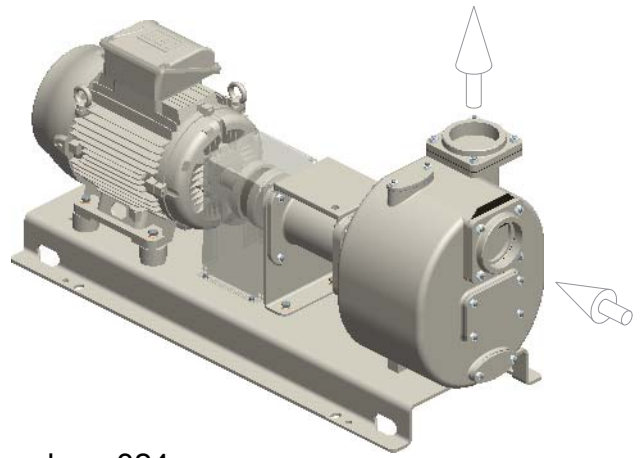


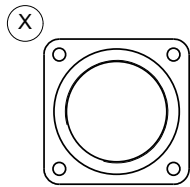
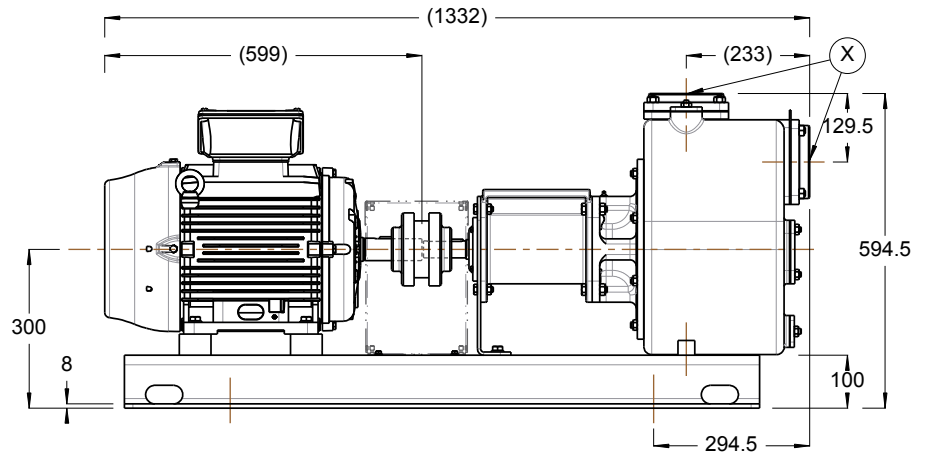
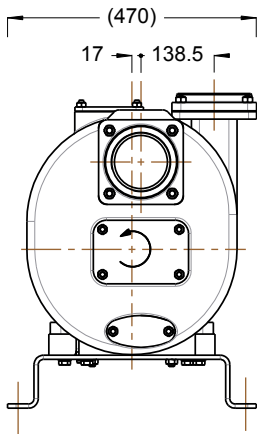
D S121 K..B/T



kg = 347
m³ = 0.78



kg = 324



R4" BSP

